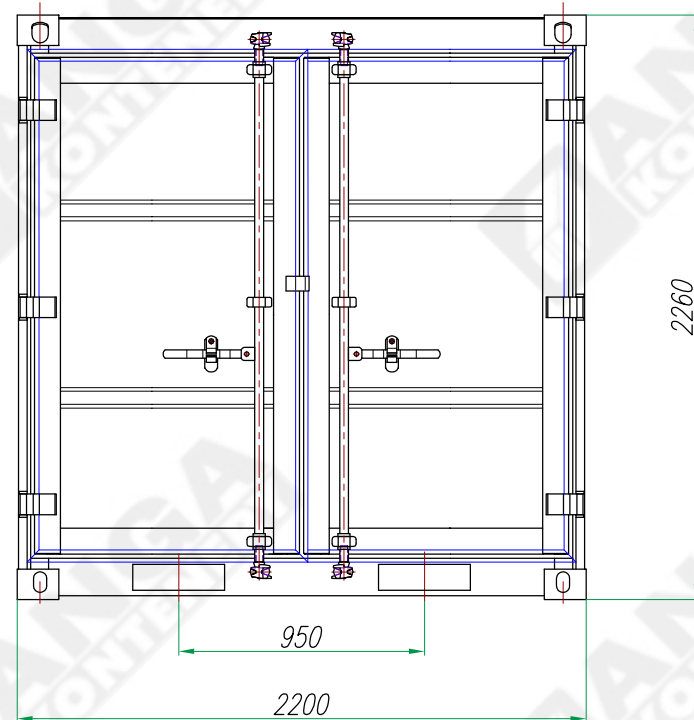
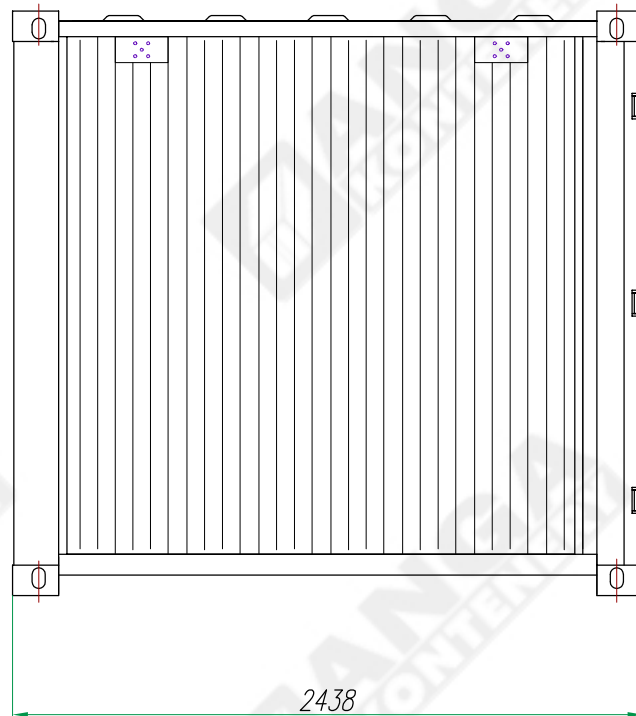


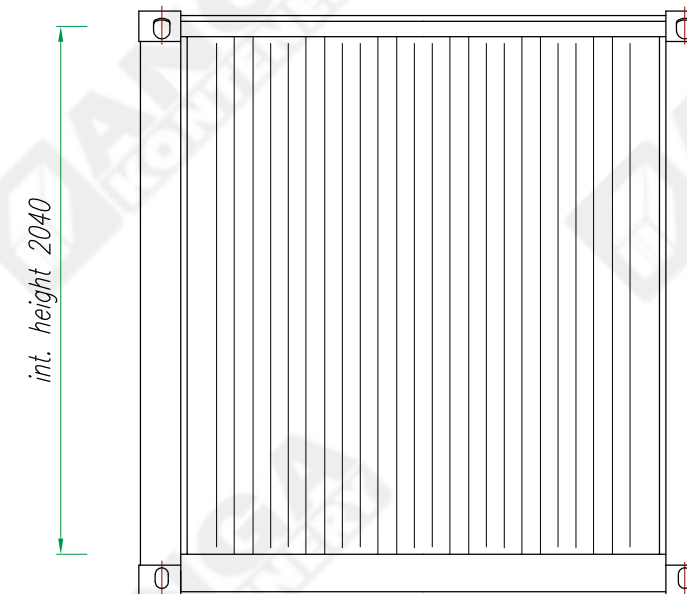
View C



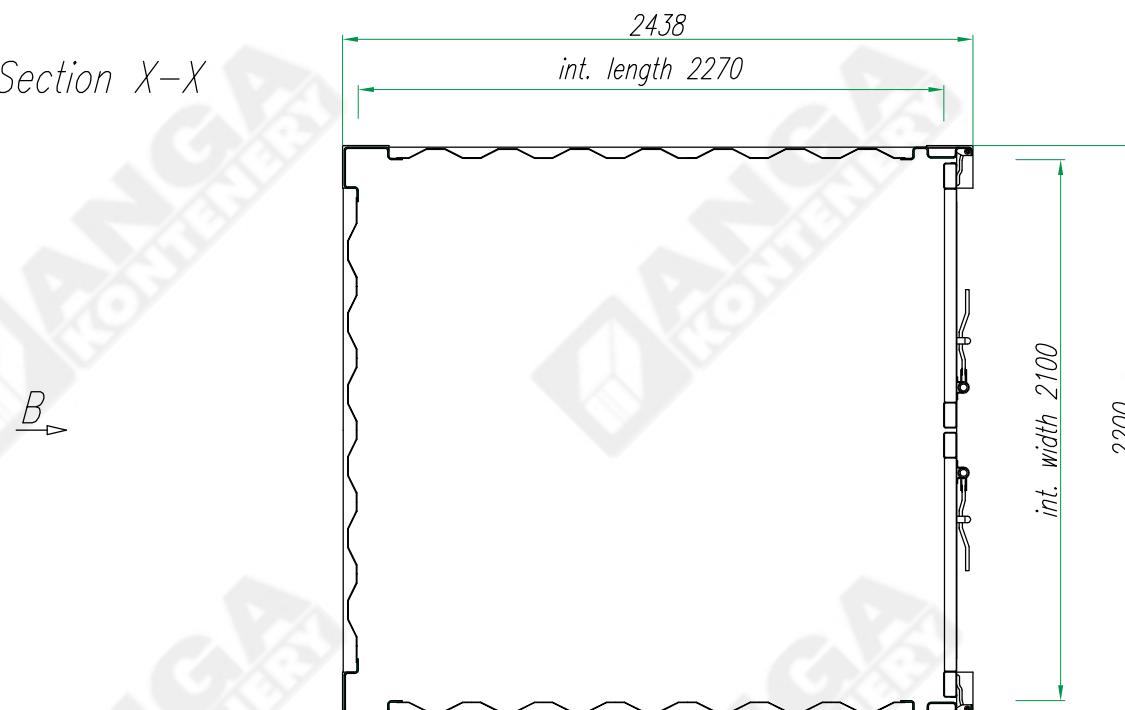
View A



View B



Section X-X



Storage container SC2 -8ft

External dimension	length	2438 mm
	width	2200 mm
	height	2260 mm
Internal dimension	length	2270 mm
	width	2100 mm
	height	2040 mm
Door opening	width	2070 mm
	height	1940 mm
Internal volume		9,8 m ³
Own weight		630 kg
Max. load		3500 kg
Max. floor load		750kg/m ²

DIMENSIONAL TOLERANCE ± 20 mm

This drawing is property of "ANGA" sp. z o.o. Kartuska 393, 80-125 Gdańsk, Poland and shall not be copied by any process, shall not be shown to third party, nor shall it be used for production documentation for any other account without our permission in writing.

Konstruował Designed	Radostaw Zdun	10.2017	Nazwa wyrobu/Product name	Storage container	Masa wyrobu kg Total weight kg
Sprawdził Checked			Typ wyrobu/Product type	Storage container KM8	Format
Zatwierdził Approved	Andrzej Mokrzyński	10.2017			A3
	Nazwisko/Name	Data/Date	Podpis/Signature	Nr rysunku/Drawing no.	Edycja Revision
				KM08-01	01
					Nr arkusza Sheet no.
					1/1



ANGA sp. z o.o.
ul. Kartuska 393
80-125 Gdańsk
anga@anga.pl