

**ROOF**  
 roof panel: profiled sheet metal #1,5; coated  
 mineral wool thickness: 80  
 sandwich panels in metal plates with styrofoam core,  
 panel thickness: 50mm, galvanized, covered with  
 polyester coating

**EXTERNAL AND INTERNAL WALLS**  
 sandwich panels in metal plates with styrofoam core,  
 panel thickness: 75mm, galvanized, covered with  
 polyester coating

**FLOOR**  
 covering PCV Tarkett Rekord 42  
 OSB3 plate #22 (option: cement-bonded plate Cetris)  
 mineral wool/styrofoam #120  
 cold formed steel crossmembers  
 bottom: galvanized metal sheet #0,5

**Symbols description:**

- DZ MZ –external steel door (Hormann ZK)
- DWO ZK –internal steel door with ventilation holes (Hormann ZK), without a wall above the door
- KWE –exhaust fan UNDER THE CEILING
- KWS –gravitational ventilation grate UNDER THE CEILING
- OW –water outflow  $\varnothing 110$ , exit through the floor
- PW –cold water connection 3/4", culvert in the floor, connection inside the containers
- KO –floor drainage, exit under the container
- ZC –dredge valve
- RG –electric distribution box (under the ceiling)
- PE –electrical connection(hermetic box on the outside wall)

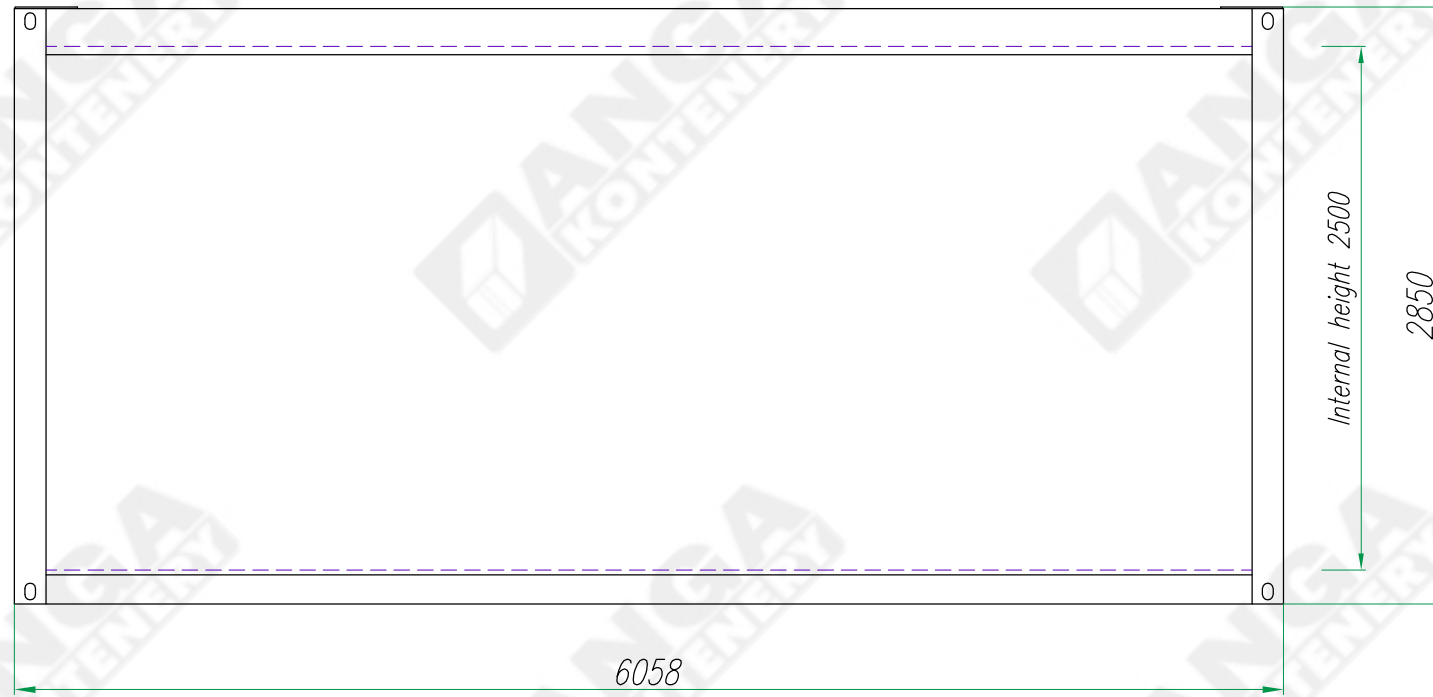
DIMENSIONAL TOLERANCE  $\pm 20\text{mm}$

This drawing is property of "ANGA" sp. z o.o. Kartuska 393, 80-125 Gdańsk, Poland and shall not be copied by any process, shall not be shown to third party, nor shall it be used for production documentation for any other account without our permission in writing.

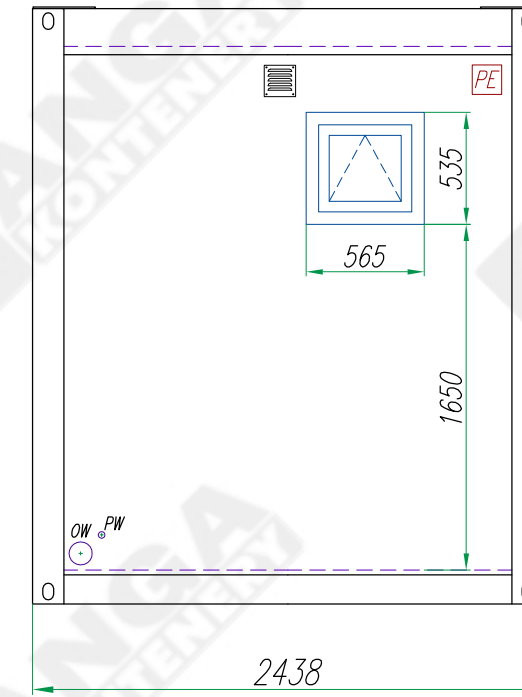
Konstruował Designed	Radostaw Zdun	11.2017	Nazwa wyrobu/Product name	sanitary container	Masa wyrobu kg Total weight kg						
Sprawdził Checked			Typ wyrobu/Product type	sanitary container KP-SA1	Format						
Zatwierdził Approved	Andrzej Mokrzyński	11.2017			A3						
<table border="1"> <tr> <th>Nazwisko/Name</th> <th>Data/Date</th> <th>Podpis/Signature</th> </tr> <tr> <td></td> <td></td> <td></td> </tr> </table>			Nazwisko/Name	Data/Date	Podpis/Signature				Nr rysunku/Drawing no.	Edycja Revision	Nr arkusza Sheet no.
Nazwisko/Name	Data/Date	Podpis/Signature									
			KP-SA1-01	01	1/2						

ANGA sp. z o.o.  
 ul. Kartuska 393  
 80-125 Gdańsk  
 anga@anga.pl

View A



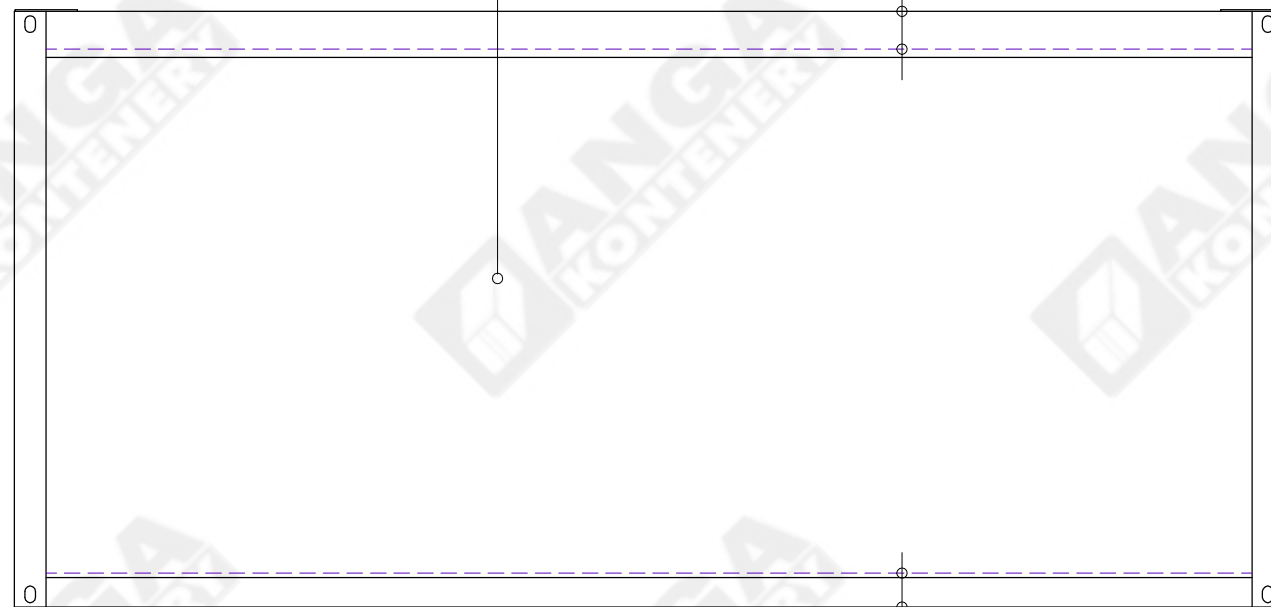
View C



**EXTERNAL WALLS**  
sandwich panels in metal plates with styrofoam core,  
panel thickness: 75mm, galvanized, covered with  
polyester coating

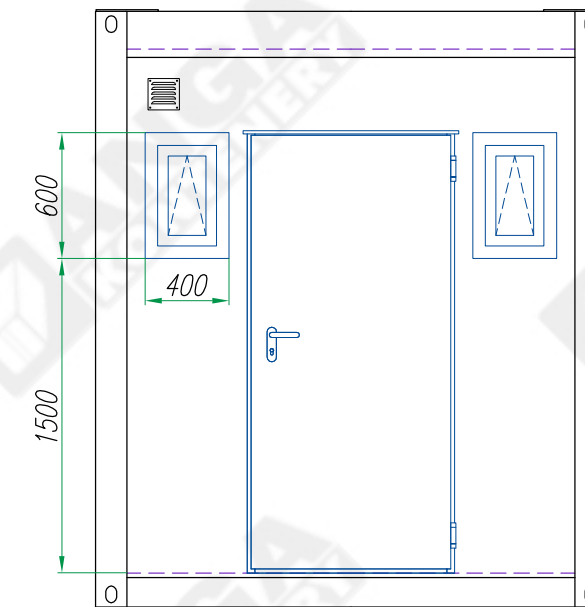
**ROOF**  
roof panel: profiled sheet metal #1,5; coated  
mineral wool thickness: 80  
sandwich panels in metal plates with styrofoam core,  
panel thickness: 50mm, galvanized, covered with  
polyester coating

View B



**FLOOR**  
covering PCV Tarkett Rekord 42  
OSB3 plate #22 (option: cement-bonded plate Cetris)  
mineral wool/styrofoam #120  
cold formed steel crossmembers  
bottom: galvanized metal sheet #0,5

View D



DIMENSIONAL TOLERANCE ±20mm

This drawing is property of "ANGA" sp. z o.o. Kartuska 393,  
80-125 Gdansk, Poland and shall not be copied  
by any process, shall not be shown to third party, nor shall  
it be used for production documentation for  
any other account without our permission in writing.

Konstruował Designed	Radostaw Zdun	11.2017	Nazwa wyrobu/Product name	Masa wyrobu kg Total weight kg
Sprawdził Checked			sanitary container	
Zatwierdził Approved	Andrzej Mokrzyński	11.2017	Typ wyrobu/Product type	Format
	Nazwisko/Name	Data/Date	sanitary container KP-SA1	A3
			Nr rysunku/Drawing no.	Edycja Revision
ANGA sp. z o.o. ul. Kartuska 393 80-125 Gdansk anga@anga.pl			KP-SA1-01	01
				Nr arkusza Sheet no.
				2/2