

ROOF
 roof panel: profiled sheet metal #1,5; coated
 mineral wool thickness: 80
 sandwich panels in metal plates with styrofoam core,
 panel thickness: 50mm, galvanized, covered with
 polyester coating

EXTERNAL AND INTERNAL WALLS
 sandwich panels in metal plates with styrofoam core,
 panel thickness: 75mm, galvanized, covered with polyester
 coating

FLOOR
 covering PCV Tarkett Rekord 42
 OSB3 plate #22
 mineral wool/styrofoam #120
 cold formed steel crossmembers
 bottom: galvanized metal sheet #0,5

Symbols description:

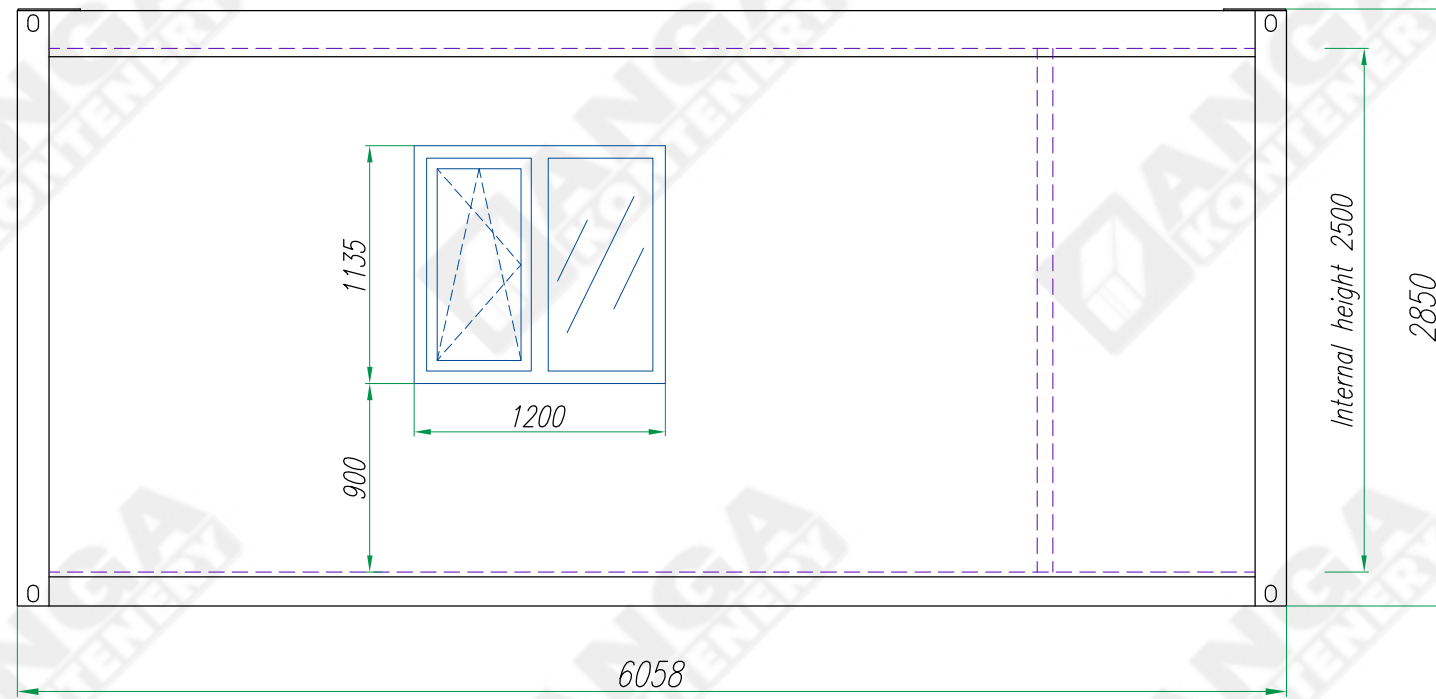
- DZ MZ –external steel door (Hormann ZK)
- DWO ZK –internal steel door with ventilation holes (Hormann ZK)
- KWE –exhaust fan UNDER THE CEILING
- KWS –gravitational ventilation grate UNDER THE CEILING
- OW –water outflow \varnothing 110, exit through the floor
- PW –cold water connection 3/4", culvert in the floor, connection inside the containers
- RG –electric distribution box (under the ceiling)
- PE –electrical connection(hermetic box on the outside wall)

DIMENSIONAL TOLERANCE \pm 20mm

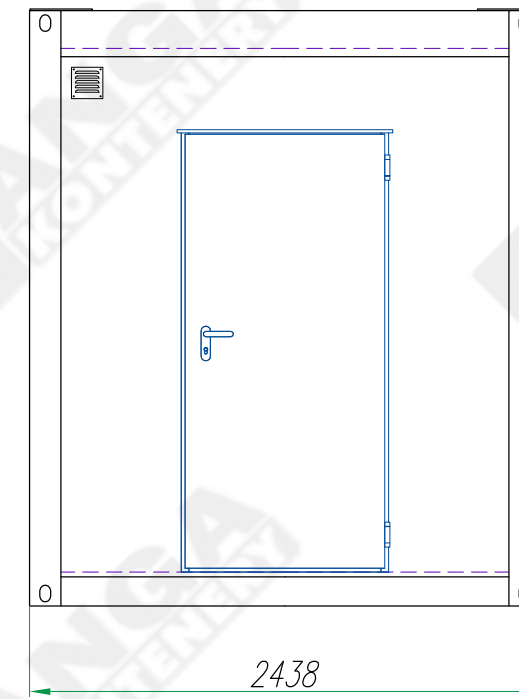
This drawing is property of "ANGA" sp. z o.o. Kartuska 393, 80-125 Gdańsk, Poland and shall not be copied by any process, shall not be shown to third party, nor shall it be used for production documentation for any other account without our permission in writing.

Konstruował Designed	Radostaw Zdun	11.2017	Nazwa wyrobu/Product name	Masa wyrobu kg Total weight kg
Sprawdził Checked			sanitary container	
Zatwierdził Approved	Andrzej Mokrzyński	11.2017	Typ wyrobu/Product type	Format
Nazwisko/Name			sanitary container KP-SA5	A3
Data/Date			Nr rysunku/Drawing no.	Edycja Revision
Podpis/Signature			KP-SA5-01	01
ANGA KONTENERY				Nr arkusza Sheet no.
ANGA sp. z o.o. ul. Kartuska 393 80-125 Gdańsk anga@anga.pl				1/2

View A



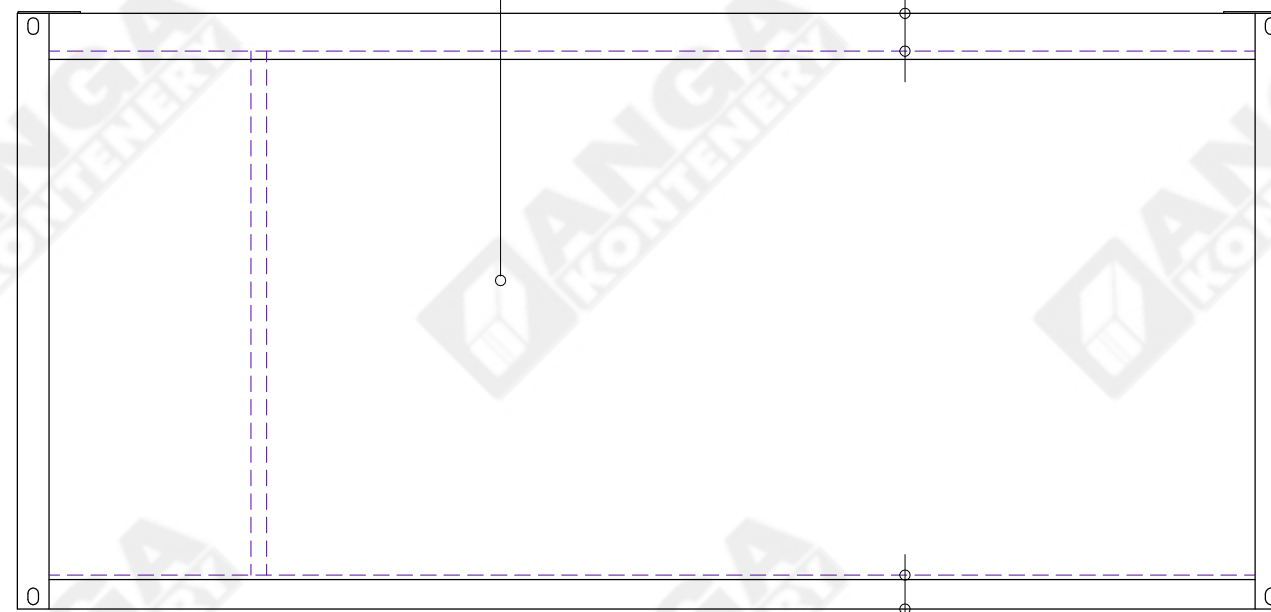
View C



EXTERNAL AND INTERNAL WALLS
sandwich panels in metal plates with styrofoam core,
panel thickness: 75mm, galvanized, covered with polyester
coating

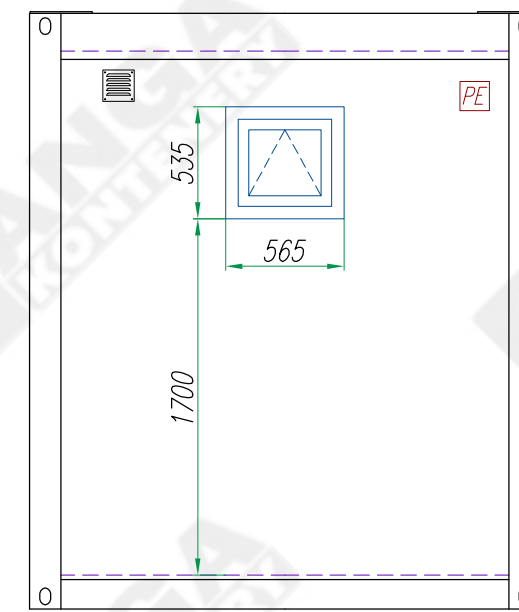
ROOF
roof panel: profiled sheet metal #1,5; coated
mineral wool thickness: 80
sandwich panels in metal plates with styrofoam core,
panel thickness: 50mm, galvanized, covered with
polyester coating

View B



FLOOR
covering PCV Tarkett Rekord 42
OSB3 plate #22
mineral wool/styrofoam #120
cold formed steel crossmembers
bottom: galvanized metal sheet #0,5

View D



DIMENSIONAL TOLERANCE ±20mm

This drawing is property of "ANGA" sp. z o.o. Kartuska 393,
80-125 Gdansk, Poland and shall not be copied
by any process, shall not be shown to third party, nor shall
it be used for production documentation for
any other account without our permission in writing.

Konstruował Designed	Radostaw Zdun	11.2017	Nazwa wyrobu/Product name	sanitary container	Masa wyrobu kg Total weight kg
Sprawdził Checked			Typ wyrobu/Product type	sanitary container KP-SA5	Format
Zatwierdził Approved	Andrzej Mokrzyński	11.2017			A3
Nazwisko/Name			Data/Date	Podpis/Signature	Nr rysunku/Drawing no.
ANGA KONTENERY			ANGA sp. z o.o. ul. Kartuska 393 80-125 Gdansk anga@anga.pl		Edycja Revision
				KP-SA5-01	01
					Nr arkusza Sheet no.
					2/2