

little sink (np. Koto Primo36)
+ hanging, storage water heater 10L

| |
|---|
| ROOF |
| roof panel: profiled sheet metal #1,5; coated |
| mineral wool thickness: 80 |
| sandwich panels in metal plates with styrofoam core, panel thickness: 50mm, galvanized, covered with polyester coating |

| |
|---|
| EXTERNAL WALLS |
| sandwich panels in metal plates with styrofoam core, panel thickness: 75mm, galvanized, covered with polyester coating |

| |
|-------------------------------------|
| FLOOR |
| covering PCV Tarkett Rekord 42 |
| OSB3 plate #22 |
| mineral wool/styrofoam #120 |
| cold formed steel crossmembers |
| bottom: galvanized metal sheet #0,5 |

DIMENSIONAL TOLERANCE ±20mm

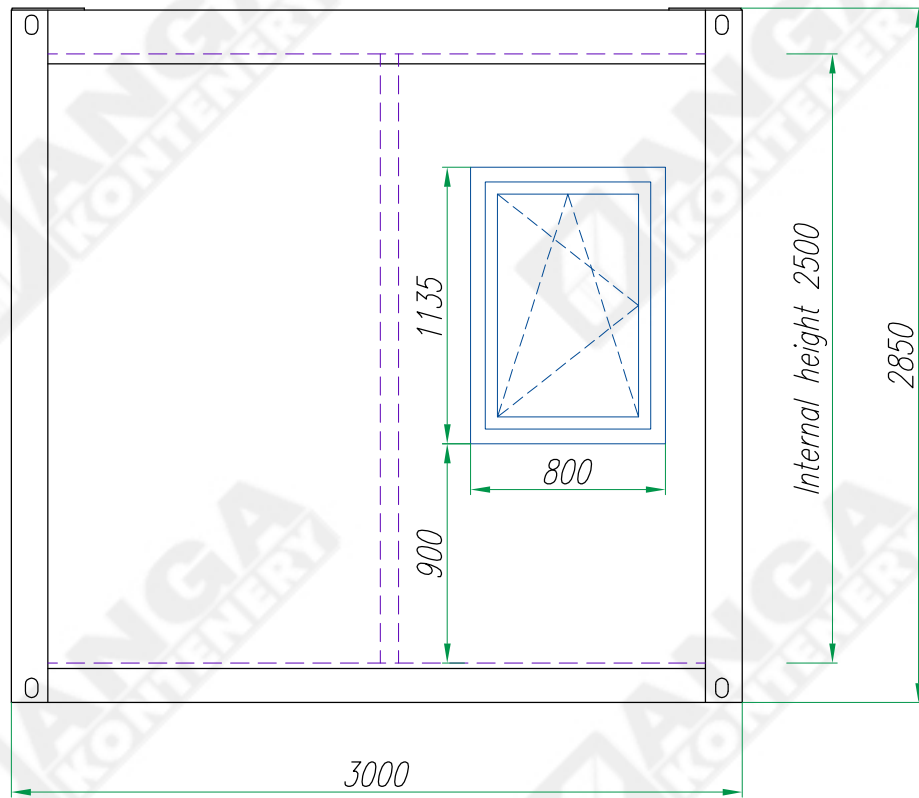
This drawing is property of "ANGA" sp. z o.o. Kartuska 393, 80-125 Gdańsk, Poland and shall not be copied by any process, shall not be shown to third party, nor shall it be used for production documentation for any other account without our permission in writing.

Symbols Description:

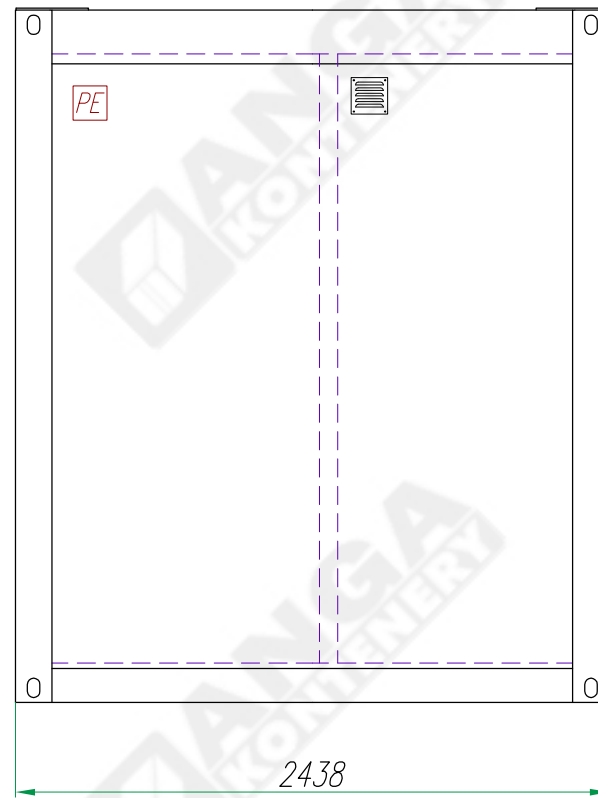
- DZ MZ – external steel door's (Hormann MZ)
- KWS – gravitational ventilation grate UNDER THE CEILING
- KWE – exhaust fan UNDER THE CEILING
- OW – water outflow ø110, exit through the floor
- PW – cold water connection, culvert in the floor, connection inside the containers
- RG – electric distribution box
- PE – electrical connection (hermetic box on the outside wall)

| | | | | | |
|--|--------------------|---------|-----------|---------------------------|-----------------------------------|
| Konstruował Designed | Radosław Zdun | 11.2017 | | Nazwa wyrobu/Product name | Masa wyrobu kg Total weight kg |
| Sprawdził Checked | | | | Gatehouse container | |
| Zatwierdził Approved | Andrzej Mokrzyński | 11.2017 | | Typ wyrobu/Product type | Format |
| | | | | Gatehouse container KP-ST | A3 |
| Nazwisko/Name | | | Data/Date | Podpis/Signature | |
| | | | | Nr rysunku/Drawing no. | Edycja Revision |
| ANGA sp. z o.o. ul. Kartuska 393 80-125 Gdańsk anga@anga.pl | | | | KP-ST-SA-01 | 01 |
| | | | | | Nr arkusza Sheet no. |
| | | | | | 1/2 |

View A



View C

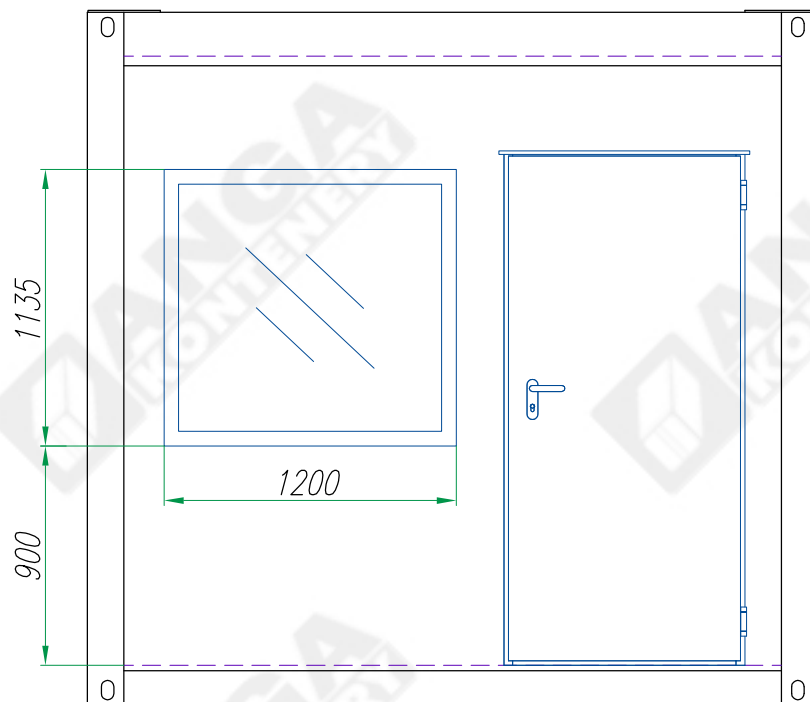


| |
|---|
| ROOF |
| roof panel: profiled sheet metal #1,5; coated |
| mineral wool thickness: 80 |
| sandwich panels in metal plates with styrofoam core, panel thickness: 50mm, galvanized, covered with polyester coating |

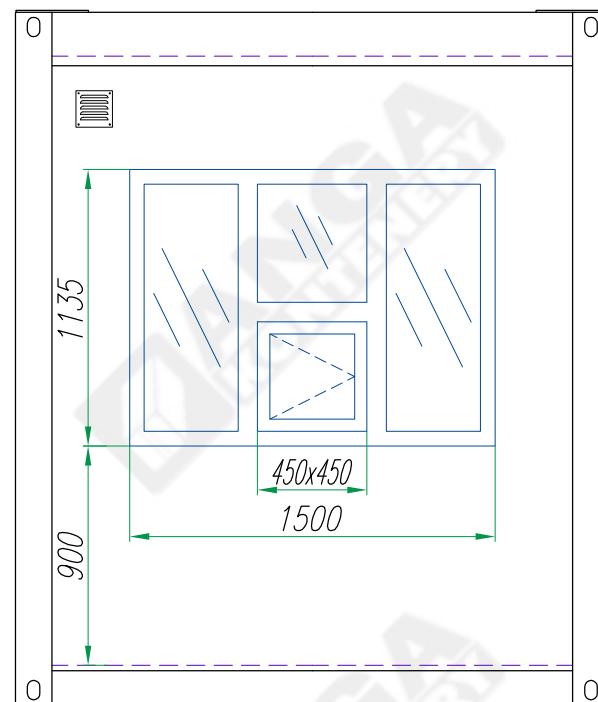
| |
|---|
| EXTERNAL WALLS |
| sandwich panels in metal plates with styrofoam core, panel thickness: 75mm, galvanized, covered with polyester coating |

| |
|-------------------------------------|
| FLOOR |
| covering PCV Tarkett Rekord 42 |
| OSB3 plate #22 |
| mineral wool/styrofoam #120 |
| cold formed steel crossmembers |
| bottom: galvanized metal sheet #0,5 |

View B



View D



DIMENSIONAL TOLERANCE ±20mm

This drawing is property of "ANGA" sp. z o.o. Kartuska 393, 80-125 Gdansk, Poland and shall not be copied by any process, shall not be shown to third party, nor shall it be used for production documentation for any other account without our permission in writing.

| | | | | | |
|-------------------------|--------------------|-----------|------------------|---------------------------|-----------------------------------|
| Konstruował Designed | Radosław Zdun | 11.2017 | | Nazwa wyrobu/Product name | Masa wyrobu kg Total weight kg |
| Sprawdził Checked | | | | Gatehouse container | |
| Zatwierdził Approved | Andrzej Mokrzyński | 11.2017 | | Typ wyrobu/Product type | Format |
| | | | | Gatehouse container KP-ST | A3 |
| | Nazwisko/Name | Data/Date | Podpis/Signature | Nr rysunku/Drawing no. | Edycja Revision |
| | | | | KP-ST-SA-01 | 01 |
| | | | | | Nr arkusza Sheet no. |
| | | | | | 2/2 |



ANGA sp. z o.o.
ul. Kartuska 393
80-125 Gdansk
anga@anga.pl