

**ROOF**

roof panel: profiled sheet metal #1,5; win the roofing structure – longitudinal gutters draining water to downpipes  $\varnothing 75$  placed in the container's pillars

mineral wool thickness: 80

sandwich panels in metal plates with styrofoam core, panel thickness: 50mm, galvanized, covered with polyester coating

**EXTERNAL WALLS**

sandwich panels in metal plates with styrofoam core, panel thickness: 100mm, galvanized, covered with polyester coating

**FLOOR**

without floor, the customer will make the floor on their own

DIMENSIONAL TOLERANCE  $\pm 20\text{mm}$

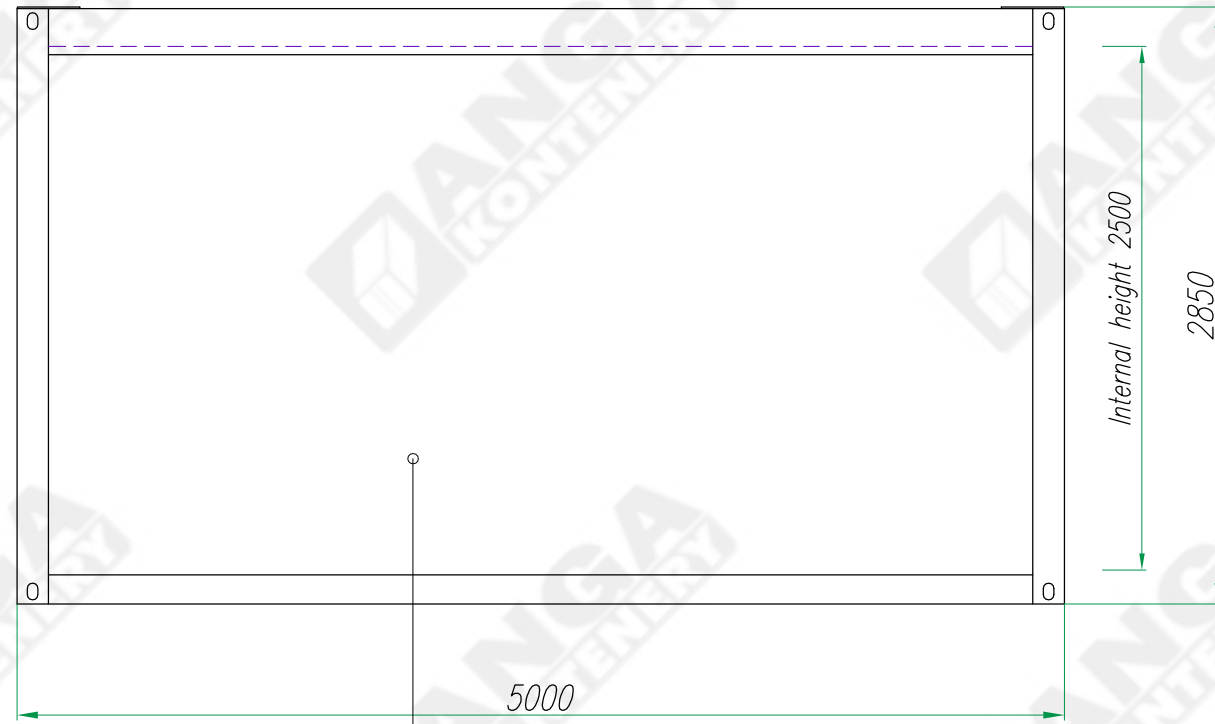
This drawing is property of "ANGA" sp. z o.o. Kartuska 393, 80-125 Gdansk, Poland and shall not be copied by any process, shall not be shown to third party, nor shall it be used for production documentation for any other account without our permission in writing.

**Objaśnienia skrótów:**

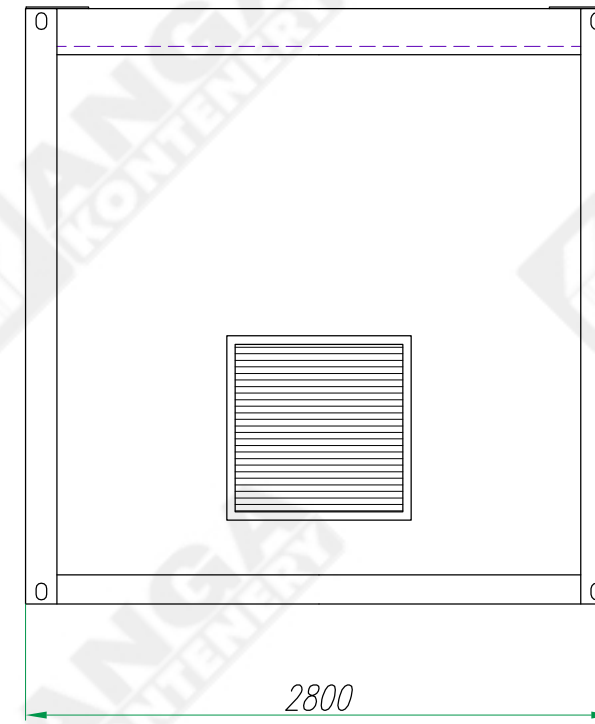
- DZ 2 – external steel door, two-winged door
- RG – electric distribution box (under the ceiling)
- PE – electrical connection (hermetic box on the outside wall)

Konstruował Designed	Radostaw Zdun	12.2017		Nazwa wyrobu/Product name	Masa wyrobu kg Total weight kg
Sprawdził Checked				technical container KP	
Zatwierdził Approved	Andrzej Mokrzyński	12.2017		Typ wyrobu/Product type	Format
Nazwisko/Name				technical container KP 100 without floor	A3
Data/Date				Nr rysunku/Drawing no.	Edycja Revision
Podpis/Signature				KP100-S-BP-01	01
				Nr arkusza Sheet no.	
ANGA sp. z o.o. ul. Kartuska 393 80-125 Gdansk anga@anga.pl				1/2	

View A



View C



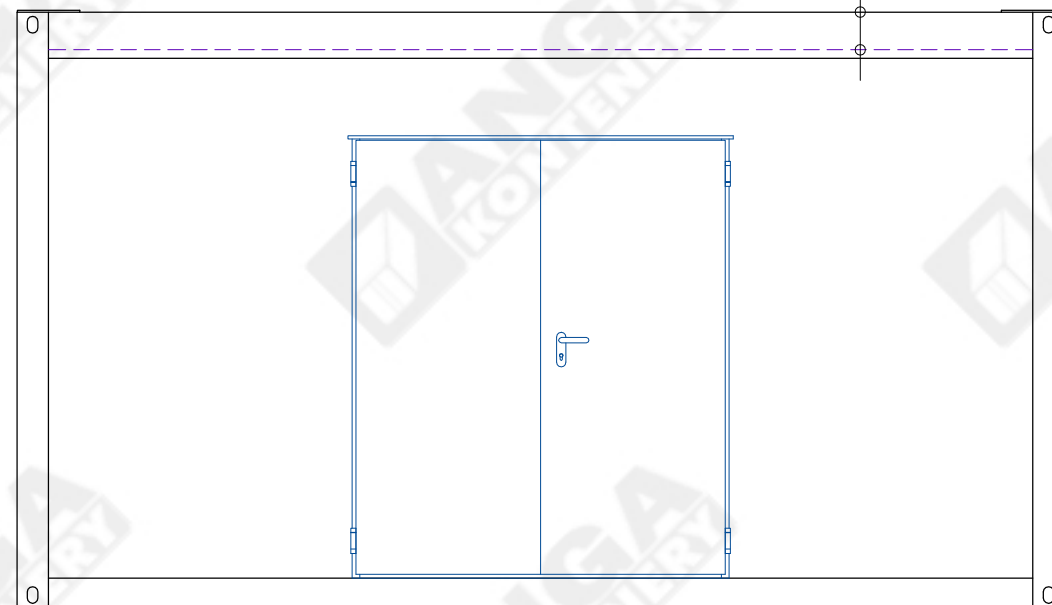
**EXTERNAL WALLS**

sandwich panels in metal plates with styrofoam core,  
panel thickness: 100mm, galvanized, covered with polyester  
coating

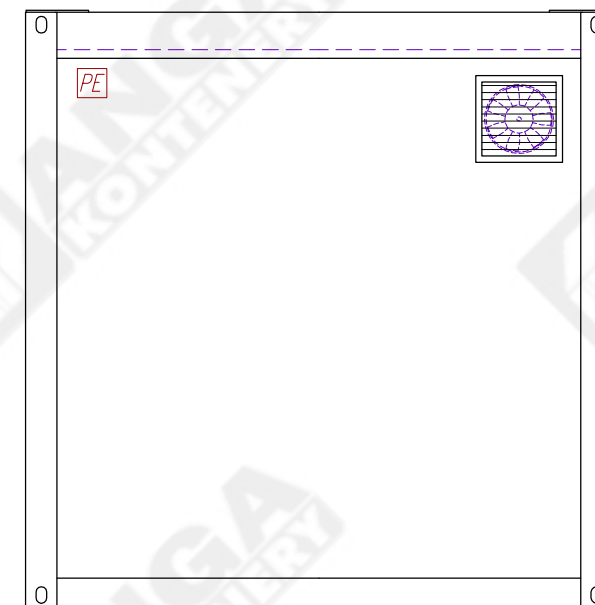
**ROOF**

roof panel: profiled sheet metal #1,5; coated  
mineral wool thickness: 80  
sandwich panels in metal plates with styrofoam core,  
panel thickness: 50mm, galvanized, covered with  
polyester coating

View B



View D



**FLOOR**

without floor, the customer will make the floor on their own

DIMENSIONAL TOLERANCE ±20mm

This drawing is property of "ANGA" sp. z o.o. Kartuska 393,  
80-125 Gdansk, Poland and shall not be copied  
by any process, shall not be shown to third party, nor shall  
it be used for production documentation for  
any other account without our permission in writing.

Konstruował Designed	Radostaw Zdun	12.2017		Nazwa wyrobu/Product name	Masa wyrobu kg Total weight kg
Sprawdził Checked				technical container KP	
Zatwierdził Approved	Andrzej Mokrzyński	12.2017		Typ wyrobu/Product type	Format
				technical container KP 100 without floor	A3
	Nazwisko/Name	Data/Date	Podpis/Signature	Nr rysunku/Drawing no.	Edycja Revision
				KP100-S-BP-01	01
			ANGA sp. z o.o. ul. Kartuska 393 80-125 Gdansk anga@anga.pl	Nr arkusza Sheet no.	2/2