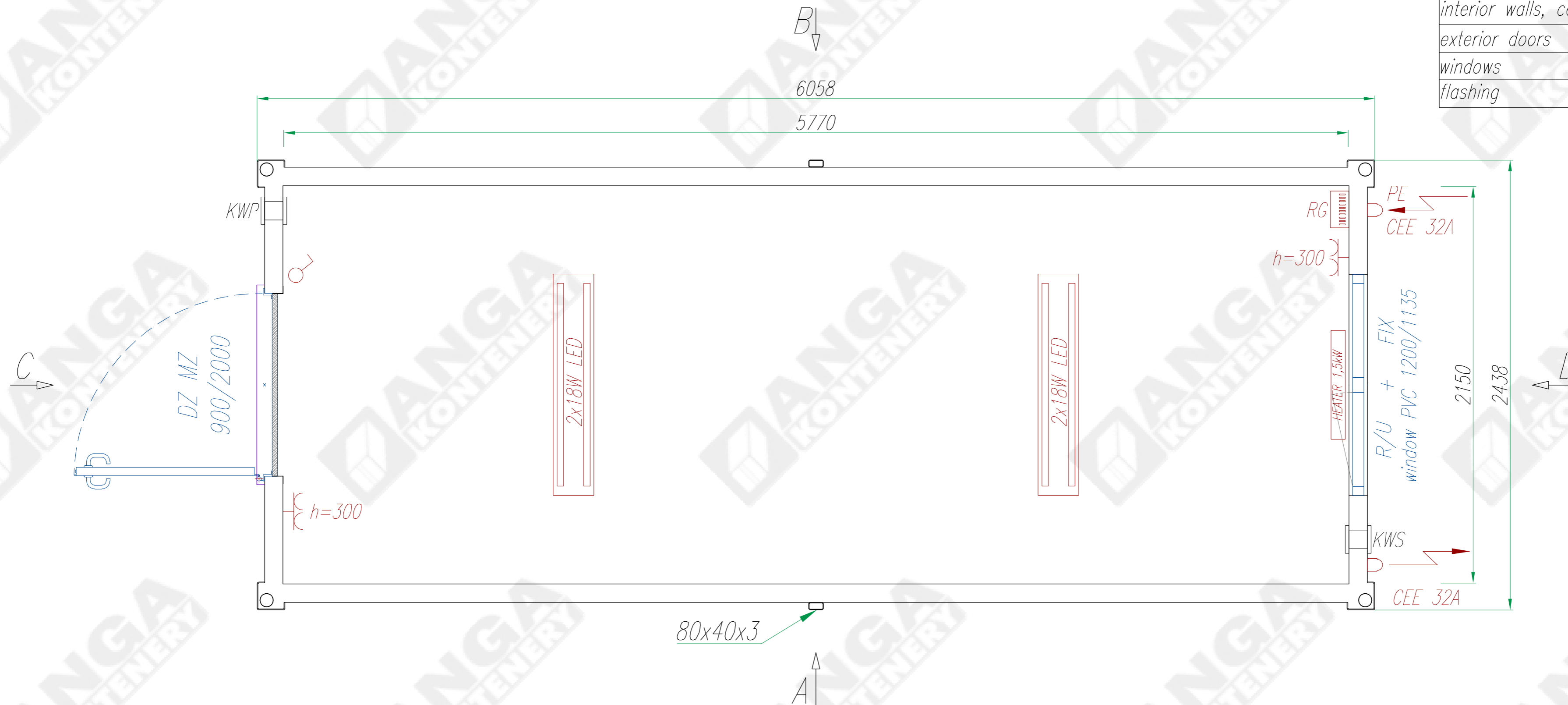


DIMENSIONAL TOLERANCE ±20mm

This drawing is property of "ANGA" sp. z o. o. Kartuska 393, 80-125 Gdańsk, Poland and shall not be copied by any process, shall not be shown to third party, nor shall it be used for production documentation for any other account without our permission in writing.

COLORS	
main frame, roof	RAL 7035
external walls	RAL 7035
interior walls, ceiling	RAL 9010
exterior doors	light-gray
windows	white PVC
flashing	like walls



ROOF
outer sheathing: profiled steel sheet, welded on the circumference # 1.5 mm; the roof structure has built-in gutters for draining water to downpipes $\varnothing 75$ placed in the container posts
spray polyurethane foam insulation 20-30mm
sandwich panel with a 50mm thick styrofoam core and facings of galvanized steel sheet, covered with a polyester coating; internal panel cladding - smooth
heat transfer coefficient $U=0,40 \text{ W/m}^2\text{K}$

COMMENTS:

- external dimensions of the container: width 2438 x length 6058 x height 2850
- internal height 2500mm
- installation ducts in wall-mounted PVC channels ("surface" installation)

EXTERNAL WALLS
sandwich panel with a 100-thick polystyrene core and cladding made of galvanized steel sheet covered with a polyester coating; outer panel cladding - profiled, internal - smooth
external flashings made of coated galvanized sheet
heat transfer coefficient $U=0,39 \text{ W/m}^2\text{K}$

FLOOR		
Tarkett PVC floor covering - Rekord, gr. 2mm, double-layer		
Non-slip	EN 13893	$\mu \geq 0.30$
	DIN 51130	R10
floor plate #22mm: CETRIS		
mineral wool #120		
cold formed steel crossmembers		
bottom: galvanized metal sheet thickness 0,5mm		
heat transfer coefficient $U=0,30 \text{ W/m}^2\text{K}$		

Symbols description:

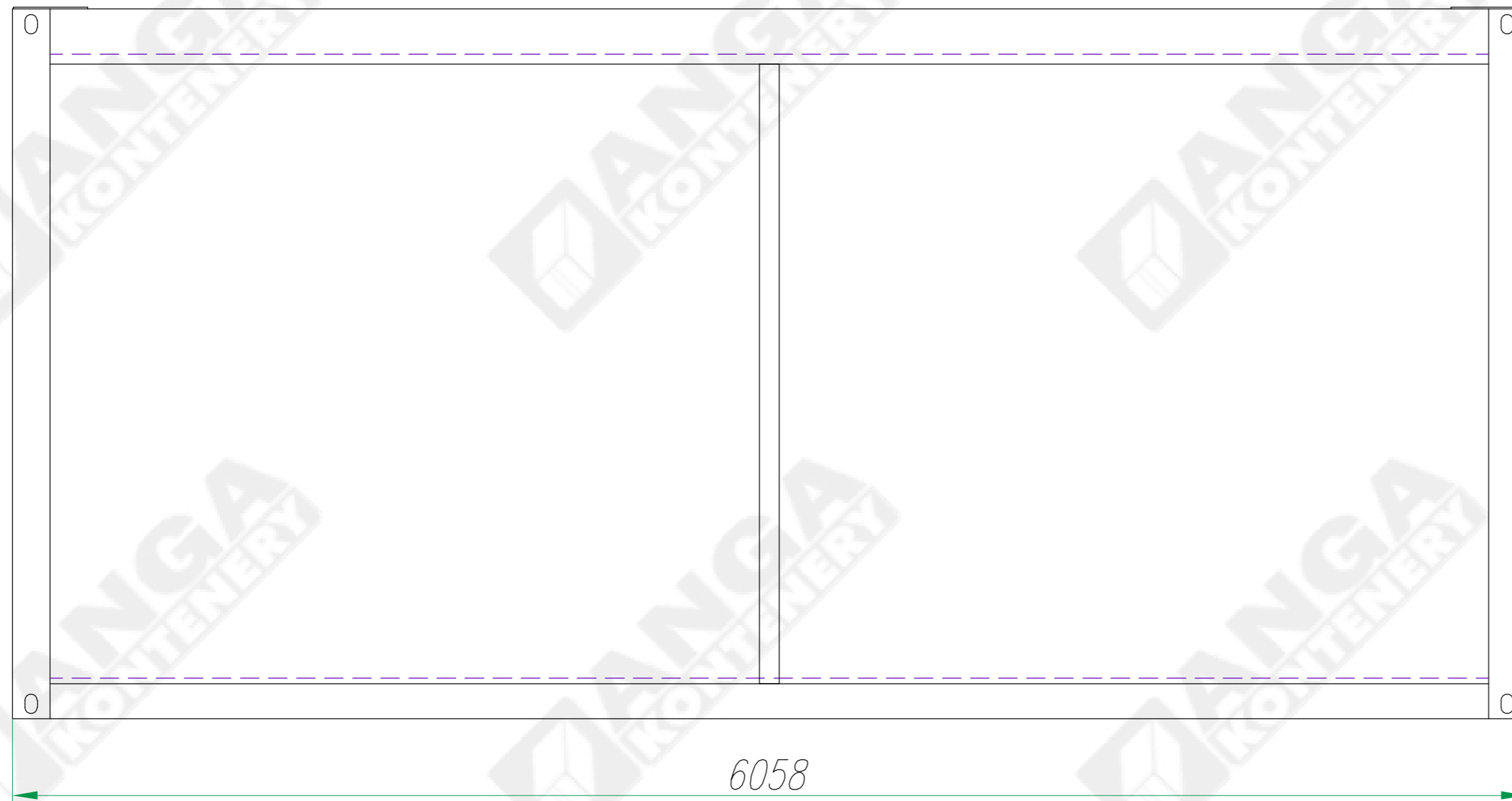
- DZ MZ - external steel door (Hormann MZ)
- KWP - ventilation grille, ABOVE THE FLOOR
- KWS - ventilation grille, UNDER CEILING
- RG - electric distribution box
- PE - electric connection CEE plug
- R/U - tilt and turn
- FIX - fixed

Konstruował Designed	Radostaw Zdun	22		Nazwa wyrobu/Product name	Office container	-.-.
Sprawdził Checked				Typ wyrobu/Product type	Container type KP100	Format A3
Zatwierdził Approved	Michał Urbanowicz	22		Nr rysunku/Drawing no.	KP100-S-01-EN	Edycja Revision 01
	Nazwisko/Name	Data/Date	Podpis/Signature			Nr arkusza Sheet no. 1/2

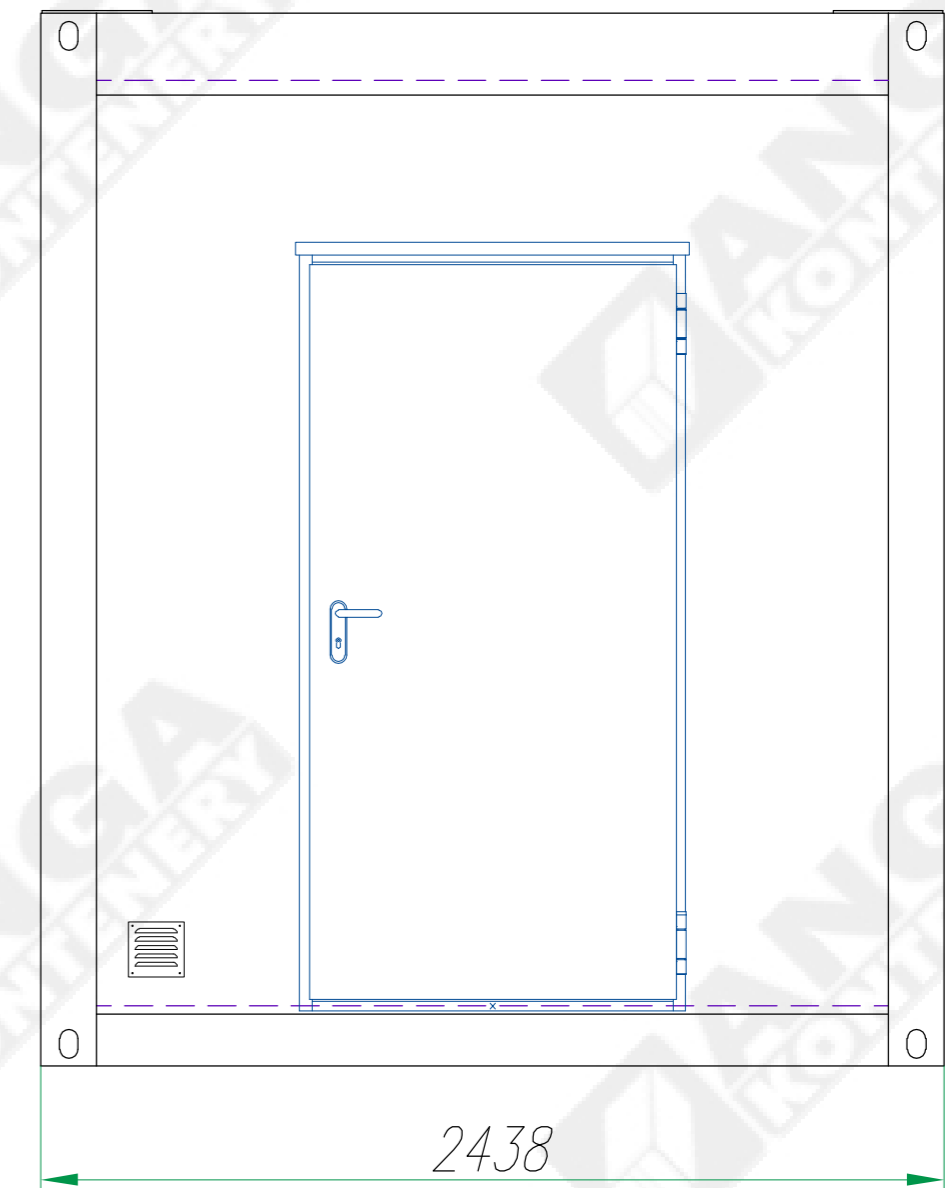


ANGA sp. z o.o.
ul. Kartuska 393
80-125 Gdańsk
anga@anga.pl

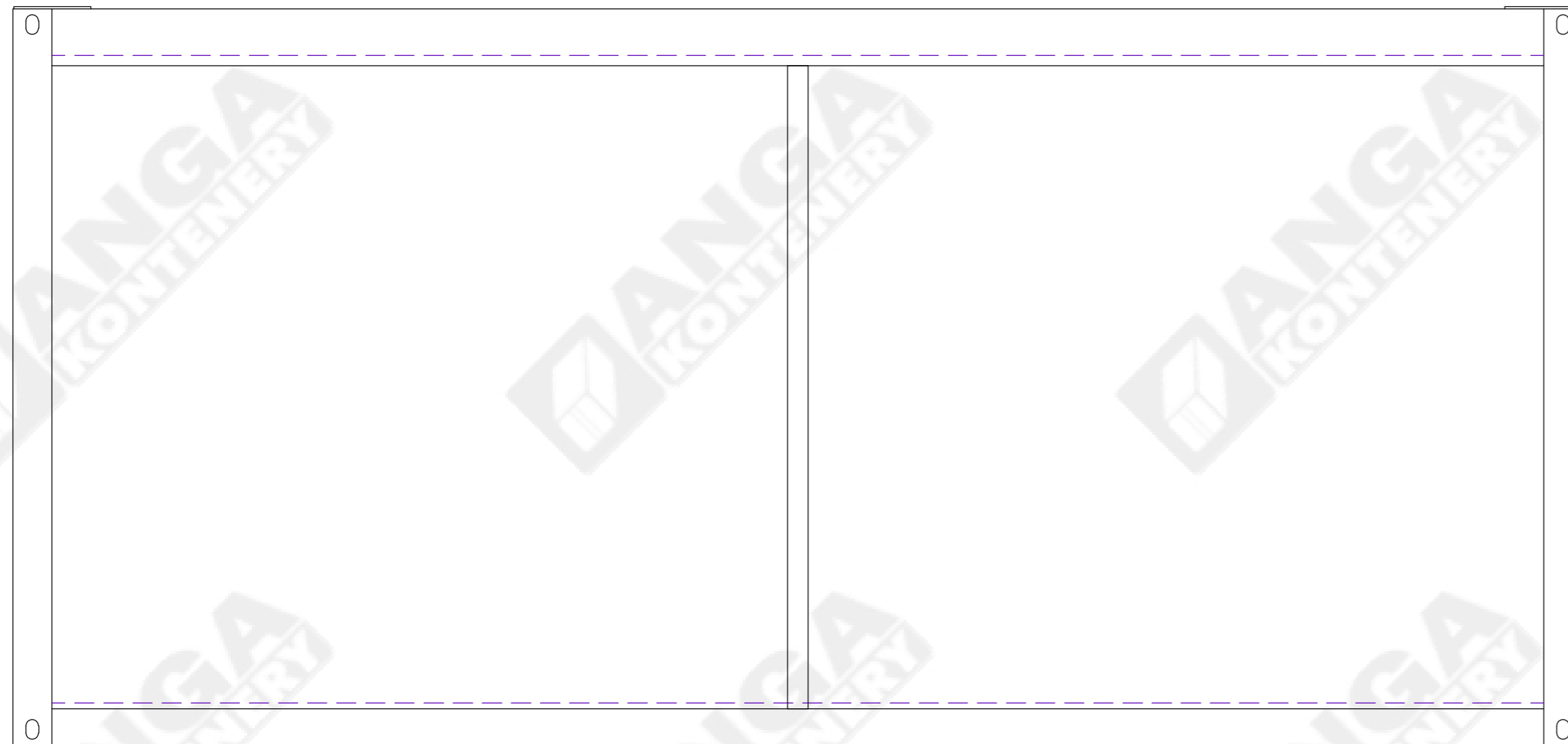
View A



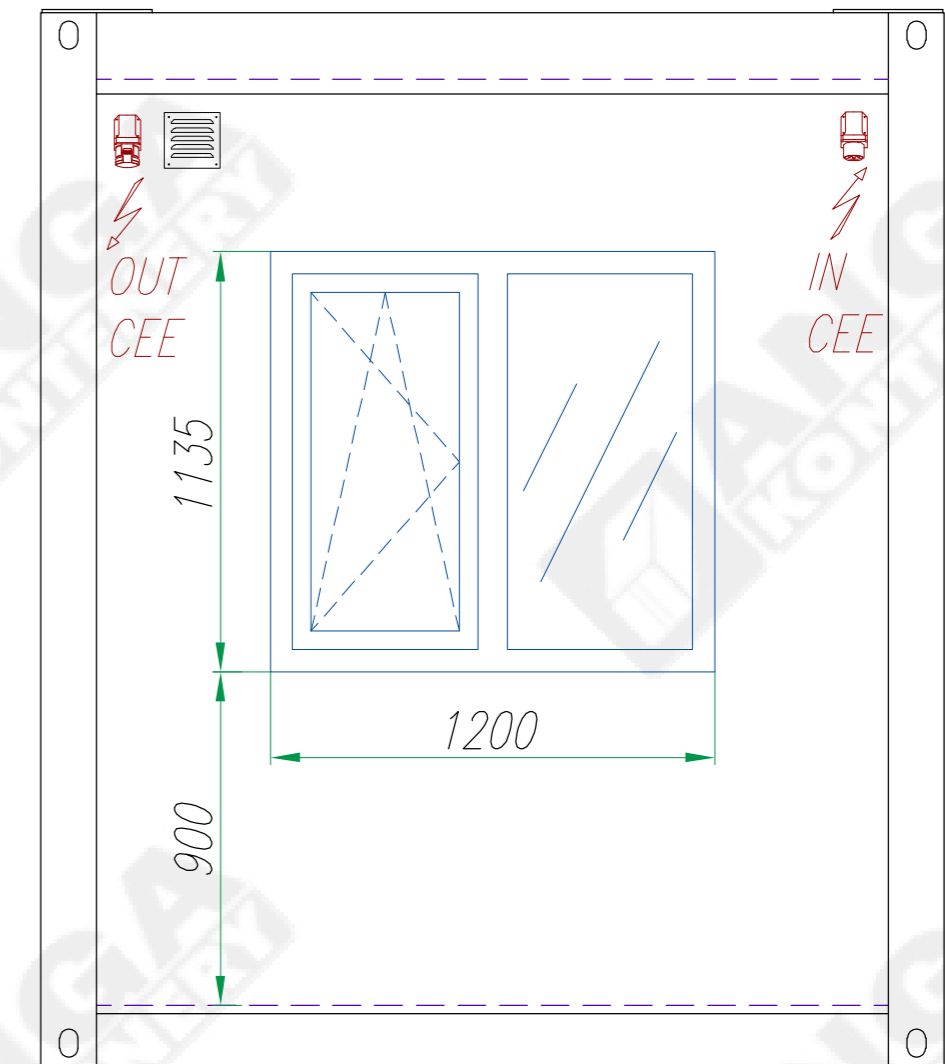
View C



View B



View D



This drawing is property of "ANGA" sp. z o.o. Kartuska 393, 80-125 Gdańsk, Poland and shall not be copied by any process, shall not be shown to third party, nor shall it be used for production documentation for any other account without our permission in writing.

Konstruował Designed	Radostaw Zdun	22		Nazwa wyrobu/Product name	Office container	-. -.
Sprawdził Checked				Typ wyrobu/Product type	Container type KP100	Format A3
Zatwierdził Approved	Michał Urbanowicz	22		Nr rysunku/Drawing no.	KP100-S-01-EN	Edycja Revision 01
	Nazwisko/Name	Data/Date	Podpis/Signature			Nr arkusza Sheet no. 2/2



ANGA sp. z o.o.
ul. Kartuska 393
80-125 Gdańsk
anga@anga.pl