

<b>ROOF</b>
roof panel: profiled sheet metal #1,5; coated
mineral wool thickness: 80
sandwich panels in metal plates with styrofoam core, panel thickness: 50mm, galvanized, covered with polyester coating

<b>EXTERNAL WALLS</b>
sandwich panels in metal plates with styrofoam core, panel thickness: 75mm, galvanized, covered with polyester coating

<b>FLOOR</b>
covering PCV Tarkett Rekord 42
OSB3 plate #22
mineral wool/styrofoam #120
cold formed steel crossmembers
bottom: galvanized metal sheet #0,5

**Symbols Description:**

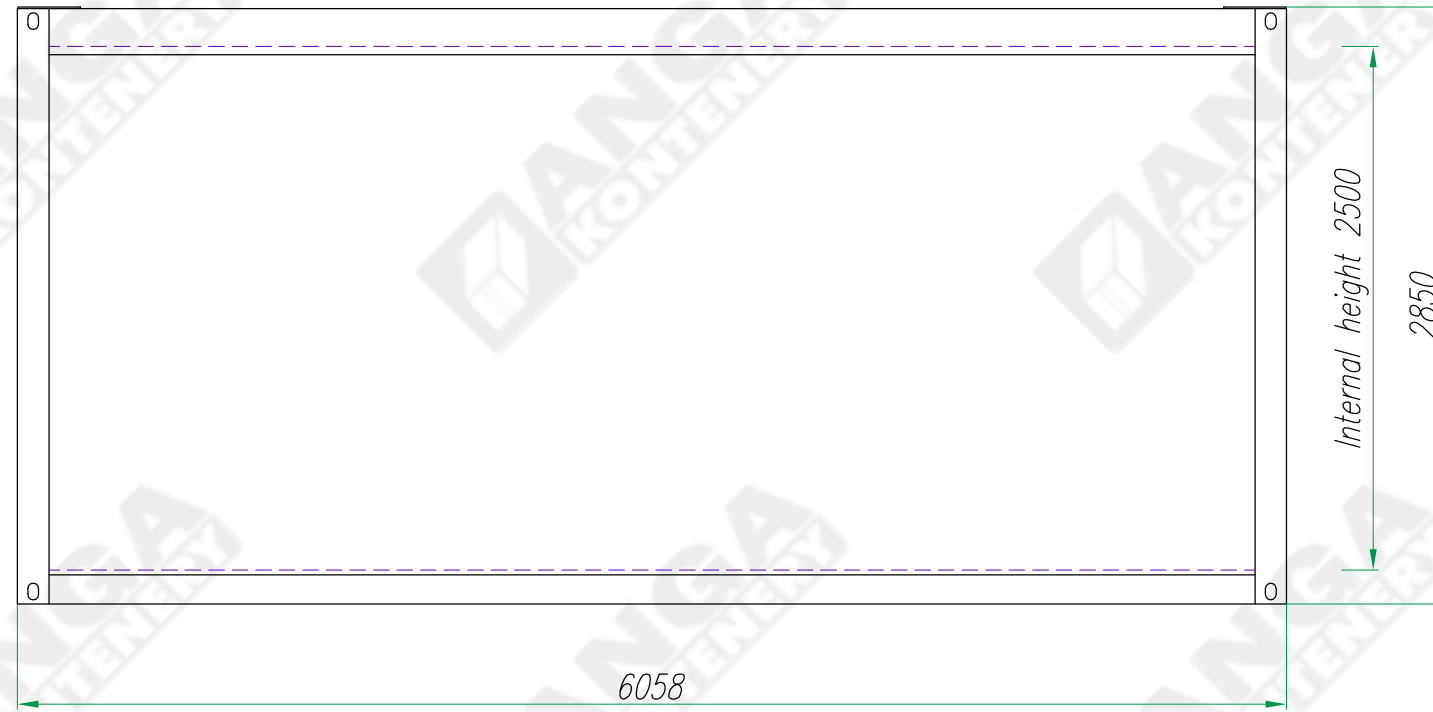
- DZ MZ –external steel door's (Hormann MZ)
- KWP –gravitational ventilation grate ABOVE THE FLOOR
- KWS –gravitational ventilation grate UNDER THE CEILING
- RG –electric distribution box
- PE –electrical connection(hermetic box on the outside wall)

DIMENSIONAL TOLERANCE ±20mm

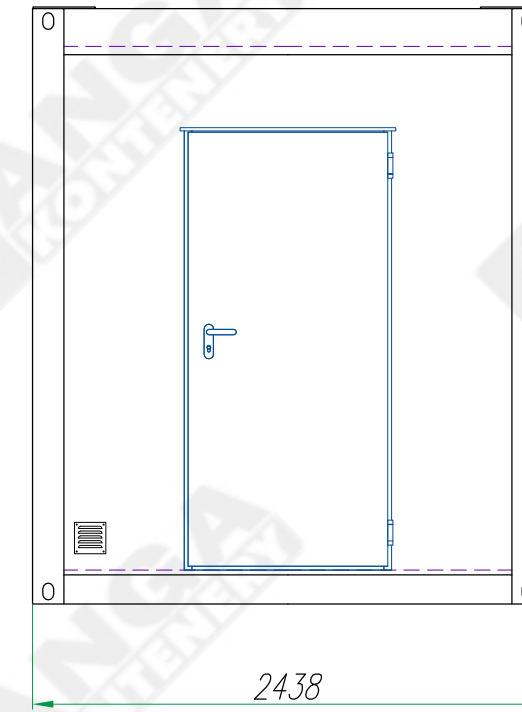
This drawing is property of "ANGA" sp. z o.o. Kartuska 393, 80-125 Gdańsk, Poland and shall not be copied by any process, shall not be shown to third party, nor shall it be used for production documentation for any other account without our permission in writing.

Konstruował Designed	Radostaw Zdun	10.2017		Nazwa wyrobu/Product name	Masa wyrobu kg Total weight kg
Sprawdził Checked				Office container	
Zatwierdził Approved	Andrzej Mokrzyński	10.2017		Typ wyrobu/Product type	Format
	Nazwisko/Name	Data/Date	Podpis/Signature	Office container type KP75	A3
				Nr rysunku/Drawing no.	Edycja Revision
ANGA sp. z o.o. ul. Kartuska 393 80-125 Gdańsk anga@anga.pl				KP75-S-01	01
					Nr arkusza Sheet no.
					1/2

View A

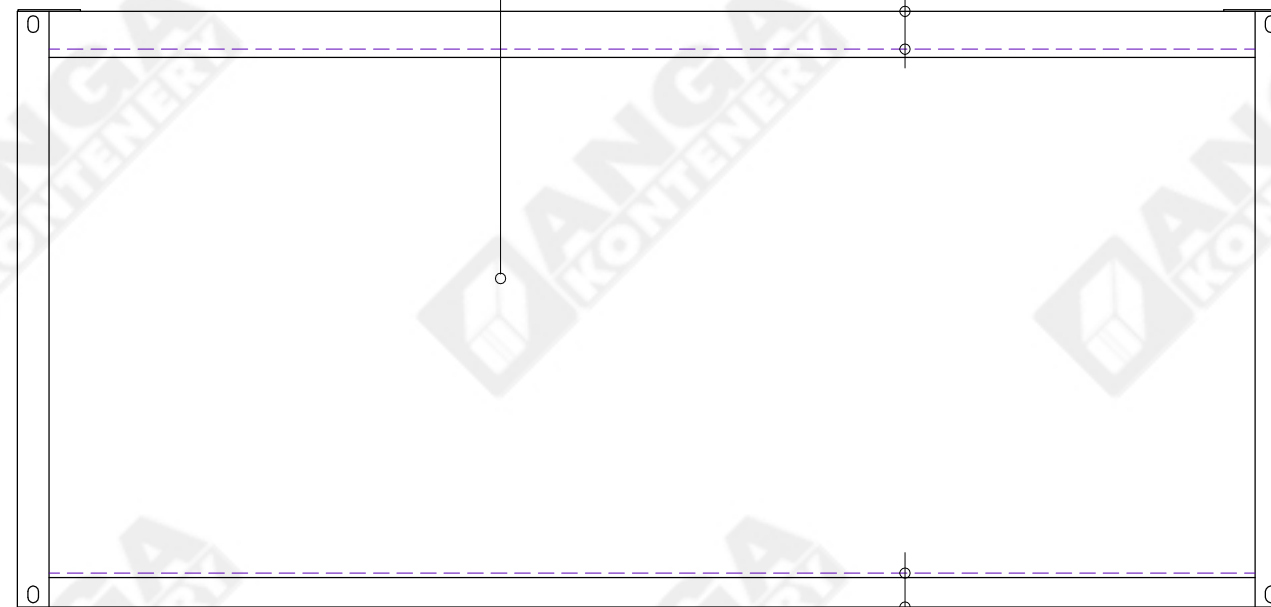


View C



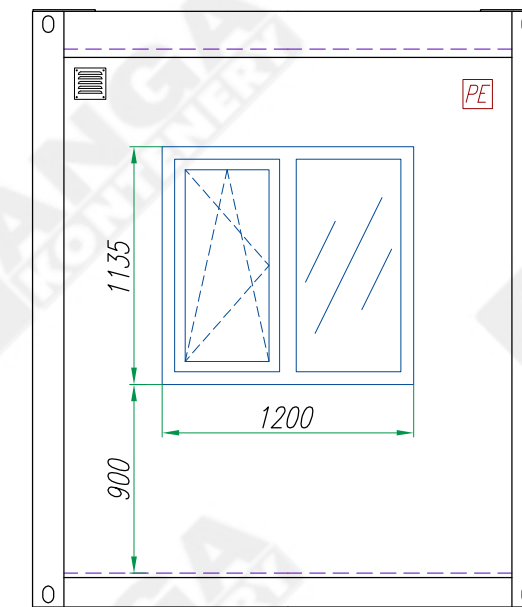
**EXTERNAL WALLS**  
sandwich panels in metal plates with styrofoam core,  
panel thickness: 75mm, galvanized, covered with polyester  
coating

View B



**ROOF**  
roof panel: profiled sheet metal #1,5; coated  
mineral wool thickness: 80  
sandwich panels in metal plates with styrofoam core,  
panel thickness: 50mm, galvanized, covered with polyester  
coating

View D



**FLOOR**  
covering PCV Tarkett Rekord 42  
OSB3 plate #22  
mineral wool/styrofoam #120  
cold formed steel crossmembers  
bottom: galvanized metal sheet #0,5

DIMENSIONAL TOLERANCE ±20mm

This drawing is property of "ANGA" sp. z o.o. Kartuska 393,  
80-125 Gdansk, Poland and shall not be copied  
by any process, shall not be shown to third party, nor shall  
it be used for production documentation for  
any other account without our permission in writing.

Konstruował Designed	Radostaw Zdun	10.2017		Nazwa wyrobu/Product name	Masa wyrobu kg Total weight kg
Sprawdził Checked				Office container	
Zatwierdził Approved	Andrzej Mokrzyński	10.2017		Typ wyrobu/Product type	Format
	Nazwisko/Name	Data/Date	Podpis/Signature	Office container type KP75	A3
			ANGA sp. z o.o. ul. Kartuska 393 80-125 Gdansk anga@anga.pl	Nr rysunku/Drawing no.	Edycja Revision
				KP75-S-01	01
					Nr arkusza Sheet no.
					2/2