

ROOF
galvanized and painted, trapezoid sheet plate T35, #0,7mm
mineral wool #50mm
sandwich panels in metal plates with polyurethane core, panel thickness: 100mm, galvanized, covered with polyester coating

EXTERNAL WALLS
sandwich panels in metal plates with polyurethane core, panel thickness: 100mm, galvanized, covered with polyester coating

INTERNAL WALLS
sandwich panels in metal plates with styrofoam core, panel thickness: 75mm

FLOOR
covering PCV Tarkett Rekord 42
OSB3 plate #22, sanitary part – cement-bonded plate Cetris
mineral wool/styrofoam #120
cold formed steel crossmembers
styrofoam #20mm (between the bottom plating and crossbars)
bottom: galvanized metal sheet #0,5

Symbols description:

- DZ MZ –external steel door's (Hormann MZ)
- DW P –internal sheet door
- DWO PO –internal sheet door, bathroom with ventilation holes and windows
- KWE –exhaust fan UNDER THE CEILING
- KWS –gravitational ventilation grate UNDER THE CEILING
- OW –water outflow $\varnothing 110$, exit through the floor
- PW –cold water connection, culvert in the floor, connection inside the containers
- PP –water and sewer connection for washer
- RG –electric distribution box (under the ceiling)
- PE –electrical connection(hermetic box on the outside wall)
- LS –ceiling lamp

DIMENSIONAL TOLERANCE $\pm 20\text{mm}$

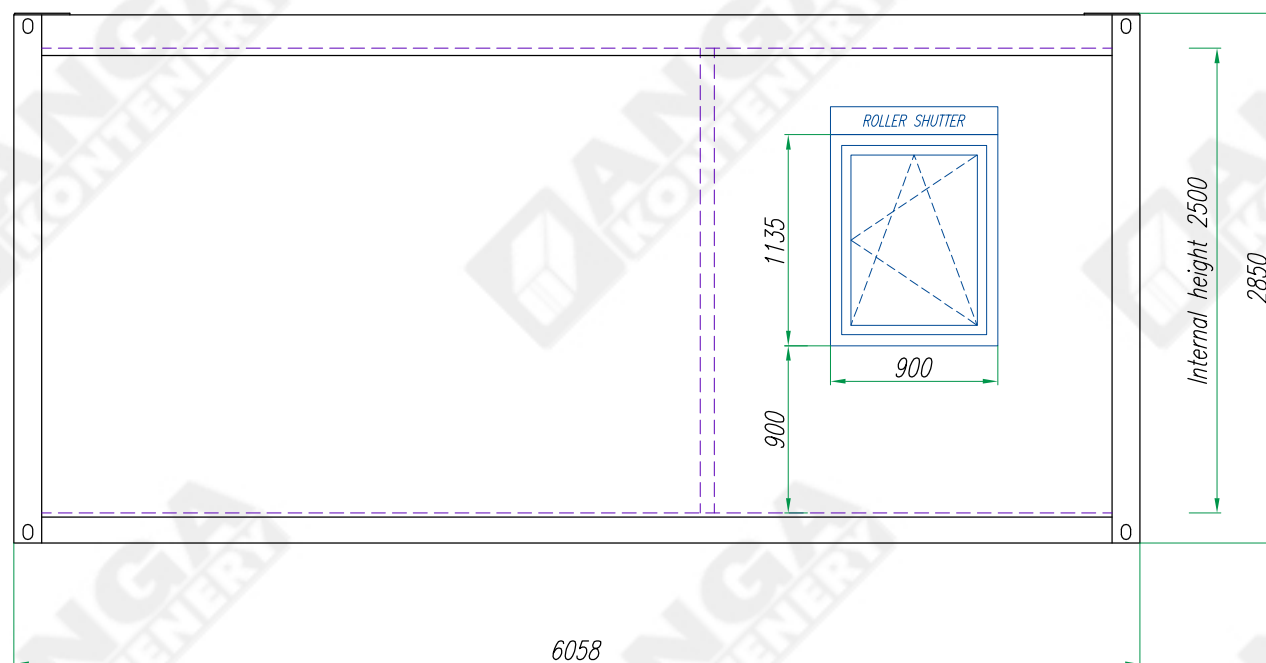
This drawing is property of "ANGA" sp. z o.o. Kartuska 393, 80-125 Gdansk, Poland and shall not be copied by any process, shall not be shown to third party, nor shall it be used for production documentation for any other account without our permission in writing.

Konstruował Designed	Radostaw Zdun	10.2017	Nazwa wyrobu/Product name	Masa wyrobu kg Total weight kg
Sprawdził Checked			Set of residential container	
Zatwierdził Approved	Andrzej Mokrzyński	10.2017	Typ wyrobu/Product type	Format
Nazwisko/Name			Set of 2 pcs of office containers type KP100 PUR	A3
Data/Date			Nr rysunku/Drawing no.	Edycja Revision
Podpis/Signature			Z2-KP100-PUR-01	Nr arkusza Sheet no.
ANGA KONTENERY			01	1/2

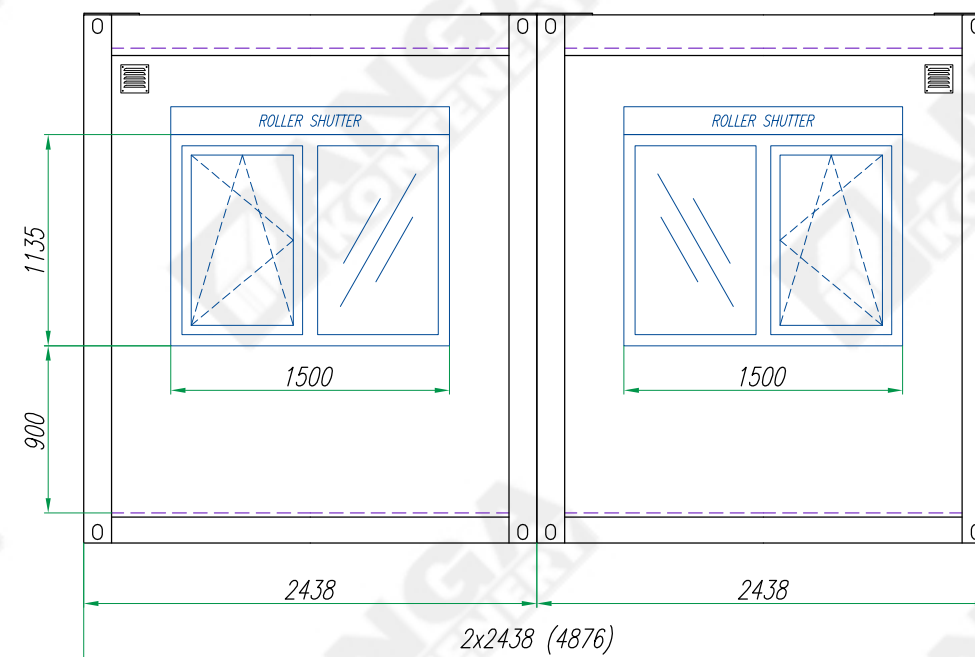


ANGA sp. z o.o.
ul. Kartuska 393
80-125 Gdansk
anga@anga.pl

View A



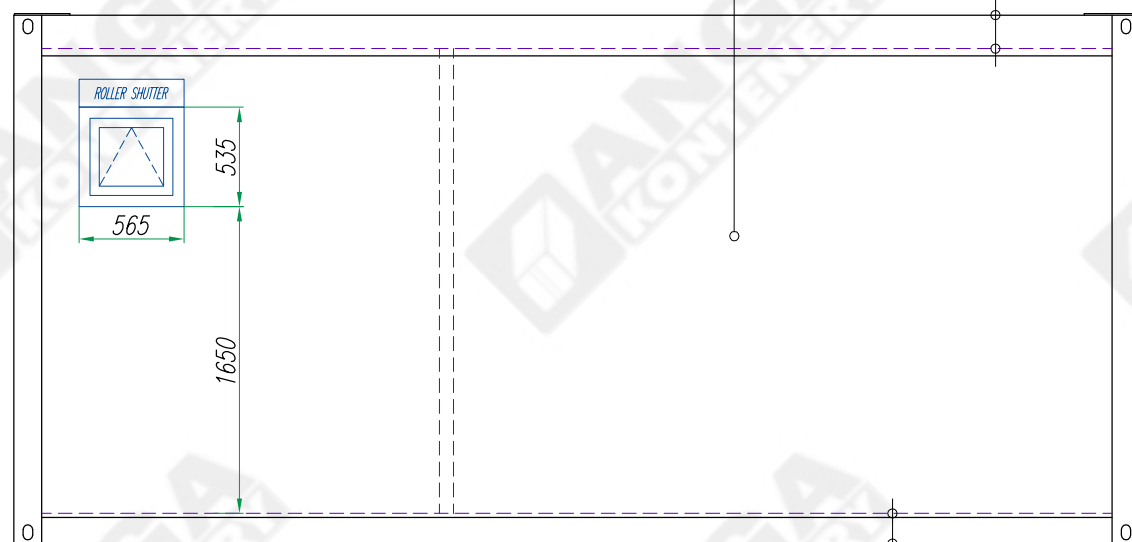
View C



EXTERNAL WALLS
sandwich panels in metal plates with polyurethane core, panel thickness: 100mm, galvanized, covered with polyester coating

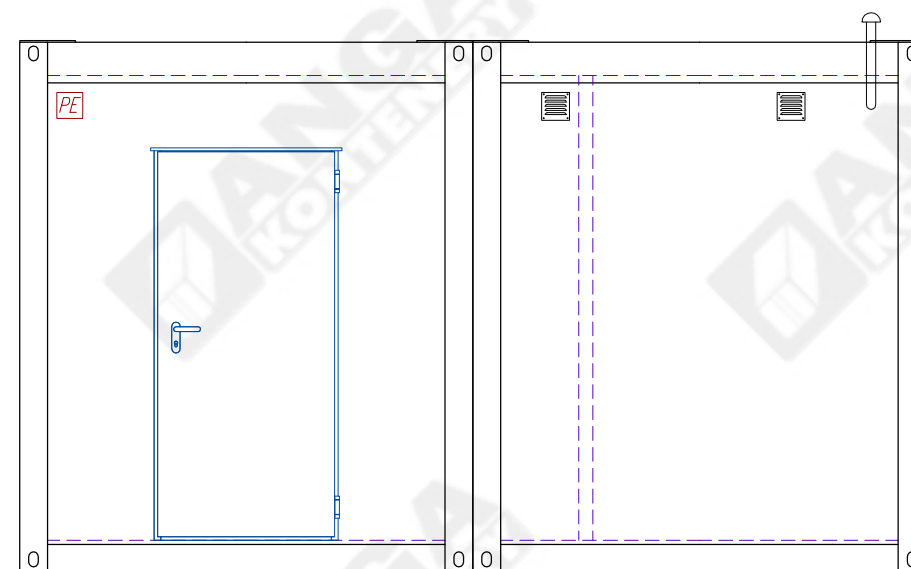
ROOF
galvanized and painted, trapezoid sheet plate T35, #0,7mm
mineral wool #50mm
sandwich panels in metal plates with polyurethane core, panel thickness: 100mm, galvanized, covered with polyester coating

View B



FLOOR
covering PCV Tarkett Rekord 42
OSB3 plate #22, sanitary part - cement-bonded plate Cetris
mineral wool/styrofoam #120
cold formed steel crossmembers
styrofoam #20mm (between the bottom plating and crossbars)
bottom: galvanized metal sheet #0,5

View D



DIMENSIONAL TOLERANCE ±20mm

This drawing is property of "ANGA" sp. z o.o. Kartuska 393, 80-125 Gdansk, Poland and shall not be copied by any process, shall not be shown to third party, nor shall it be used for production documentation for any other account without our permission in writing.

Konstruował Designed	Radostaw Zdun	10.2017	Nazwa wyrobu/Product name	Masa wyrobu kg Total weight kg
Sprawdził Checked			Set of residential container	
Zatwierdził Approved	Andrzej Mokrzyński	10.2017	Typ wyrobu/Product type	Format
Nazwisko/Name			Set of 2 pcs of office containers type KP100 PUR	A3
Data/Date			Nr rysunku/Drawing no.	Edycja Revision
Podpis/Signature			Z2-KP100-PUR-01	Nr arkusza Sheet no.
ANGA KONTENERY				01
ANGA sp. z o.o. ul. Kartuska 393 80-125 Gdansk anga@anga.pl				2/2