

ROOF
 roof panel: profiled sheet metal #1,5; galvanized, coated
 mineral wool thickness: 80
 sandwich panels in metal plates with styrofoam core,
 panel thickness: 50mm, galvanized, covered with polyester coating

EXTERNAL WALLS
 sandwich panels in metal plates with styrofoam core,
 panel thickness: 75mm

FLOOR
 covering PCV Tarkett Rekord 42
 OSB3 plate #22
 mineral wool/styrofoam #120
 cold formed steel crossmembers
 bottom: galvanized metal sheet #0,5

- Symbols description:
- DZ MZ –external steel door's (Hormann MZ)
 - KWP –gravitational ventilation grate ABOVE THE FLOOR
 - KWS –gravitational ventilation grate UNDER THE CEILING
 - RG –electric distribution box
 - PE –electrical connection(hermetic box on the outside wall)

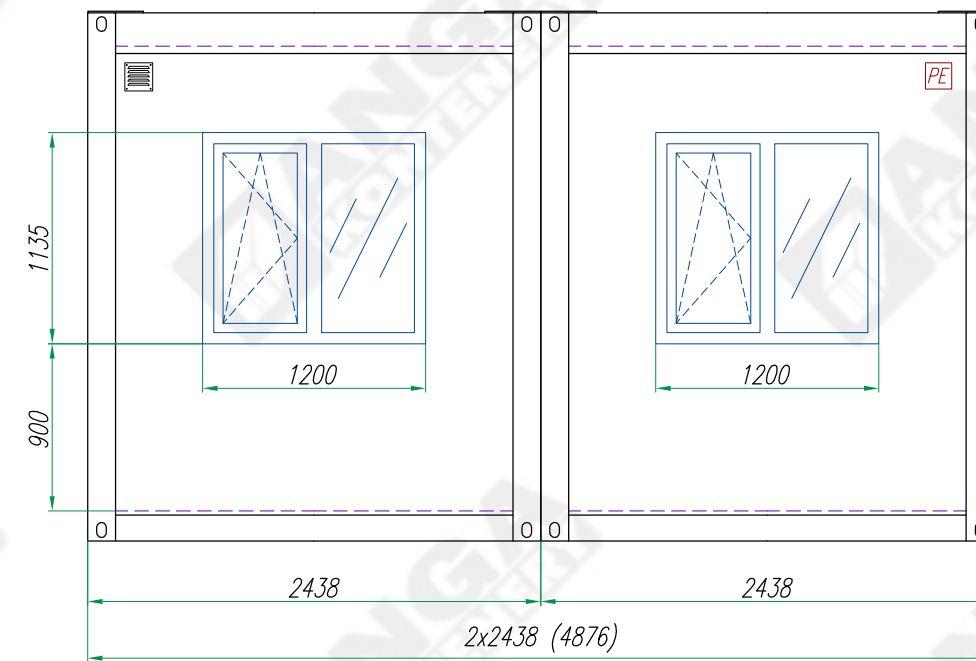
DIMENSIONAL TOLERANCE ±20mm
 This drawing is property of "ANGA" sp. z o. o. Kartuska 393, 80-125 Gdansk, Poland and shall not be copied by any process, shall not be shown to third party, nor shall it be used for production documentation for any other account without our permission in writing.

Konstruował Designed	Radostaw Zdun	10.2017		Nazwa wyrobu/Product name	Masa wyrobu kg Total weight kg
Sprawdził Checked				Set of office containers	
Zatwierdził Approved	Andrzej Mokrzyński	10.2017		Typ wyrobu/Product type	Format
	Nazwisko/Name	Data/Date	Podpis/Signature	Set of 2 pcs of office containers type KP75	A3
ANGA KONTENERY			ANGA sp. z o.o. ul. Kartuska 393 80-125 Gdansk anga@anga.pl	Nr rysunku/Drawing no.	Edycja Revision
				Z2-KP75-S-01	01
					Nr arkusza Sheet no.
					1/2

View A



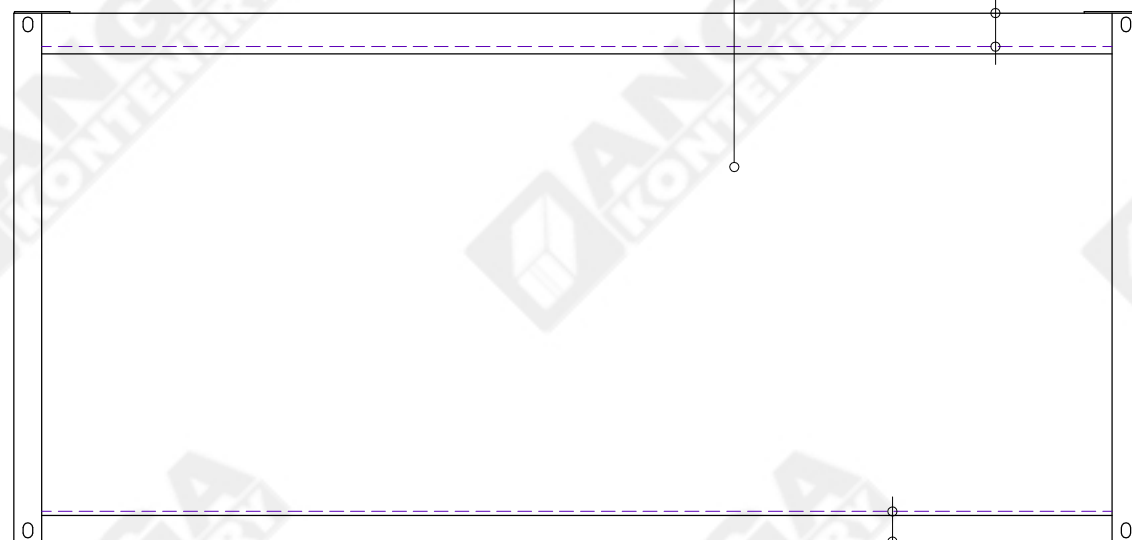
View C



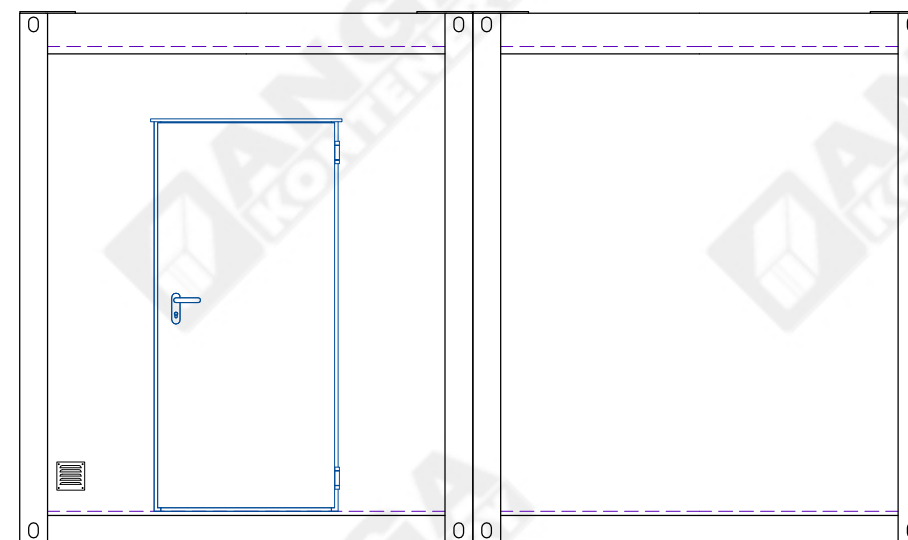
EXTERNAL WALLS
sandwich panels in metal plates with styrofoam core,
panel thickness: 75mm

ROOF
roof panel: profiled sheet metal #1,5; galvanized, coated
mineral wool thickness: 80
sandwich panels in metal plates with styrofoam core,
panel thickness: 50mm, galvanized, covered with polyester
coating

View B



View D



FLOOR
covering PCV Tarkett Rekord 42
OSB3 plate #22
mineral wool/styrofoam #120
cold formed steel crossmembers
bottom: galvanized metal sheet #0,5

DIMENSIONAL TOLERANCE ±20mm

This drawing is property of "ANGA" sp. z o.o. Kartuska 393,
80-125 Gdansk, Poland and shall not be copied
by any process, shall not be shown to third party, nor shall
it be used for production documentation for
any other account without our permission in writing.

Konstruował Designed	Radostaw Zdun	10.2017	Nazwa wyrobu/Product name	Masa wyrobu kg Total weight kg
Sprawdził Checked			Set of office containers	
Zatwierdził Approved	Andrzej Mokrzyński	10.2017	Typ wyrobu/Product type	Format
Nazwisko/Name			Set of 2 pcs of office containers type KP75	A3
Data/Date			Nr rysunku/Drawing no.	Edycja Revision
Podpis/Signature			Z2-KP75-S-01	01
ANGA KONTENERY			Nr arkusza Sheet no.	
ANGA sp. z o.o. ul. Kartuska 393 80-125 Gdansk anga@anga.pl			2/2	