

**ROOF**  
 roof panel: profiled sheet metal #1,5; galvanized, coated  
 mineral wool thickness: 80  
 sandwich panels in metal plates with styrofoam core,  
 panel thickness: 50mm, galvanized, covered with polyester coating

**EXTERNAL WALLS**  
 sandwich panels in metal plates with styrofoam core,  
 panel thickness: 100mm, galvanized, covered with polyester coating

**INTERNAL WALLS**  
 sandwich panels in metal plates with styrofoam core,  
 panel thickness: 75mm

**FLOOR**  
 covering PCV Tarkett Rekord 42  
 OSB3 plate #22, sanitary part – cement-bonded plate Cetris  
 mineral wool/styrofoam #120  
 cold formed steel crossmembers  
 bottom: galvanized metal sheet #0,5

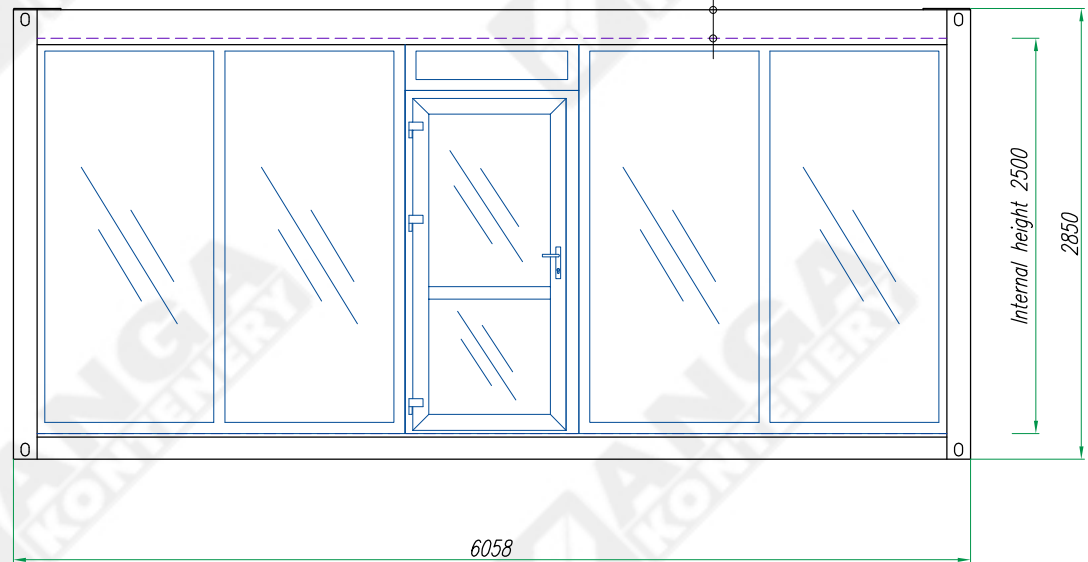
- Symbols description:
- PCV SZ – external glassed doors PCV
  - DWO ZK – internal steel door with ventilation holes (Hormann ZK)
  - KWE – exhaust fan UNDER THE CEILING
  - KWP – gravitational ventilation grate ABOVE THE FLOOR
  - KWS – gravitational ventilation grate UNDER THE CEILING
  - OW – water outflow Ø110, exit through the floor
  - PW – cold water connection, culvert in the floor, connection inside the containers
  - RG – electric distribution box (under the ceiling)
  - PE – electrical connection (hermetic box on the outside wall)

DIMENSIONAL TOLERANCE ±20mm  
 This drawing is property of "ANGA" sp. z o.o. Kartuska 393,  
 80-125 Gdansk, Poland and shall not be copied  
 by any process, shall not be shown to third party, nor shall  
 it be used for production documentation for  
 any other account without our permission in writing.

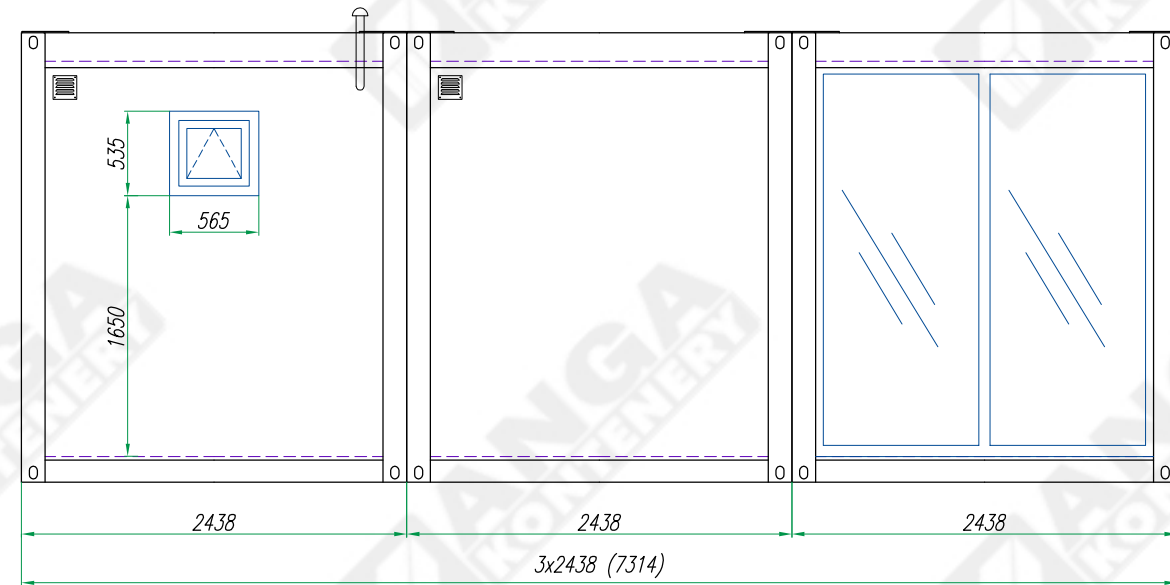
Konstruował Designed	Radostaw Zdun	10.2017	Nazwa wyrobu/Product name	Masa wyrobu kg Total weight kg
Sprawdził Checked			Set of commercial containers	
Zatwierdził Approved	Andrzej Mokrzyński	10.2017	Typ wyrobu/Product type	Format
			Set of 3 pcs of commercial containers type KP100	A2
Nazwisko/Name			Nr rysunku/Drawing no.	Edycja Revision
Data/Date			Podpis/Signature	Nr arkusza Sheet no.
			ANGA sp. z o.o. ul. Kartuska 393 80-125 Gdansk anga@anga.pl	Z3-KP100-S-01 01 1/2

**ROOF**  
 roof panel: profiled sheet metal #1,5; galvanized, coated  
 mineral wool thickness: 80  
 sandwich panels in metal plates with styrofoam core,  
 panel thickness: 50mm, galvanized, covered with polyester  
 coating

View A

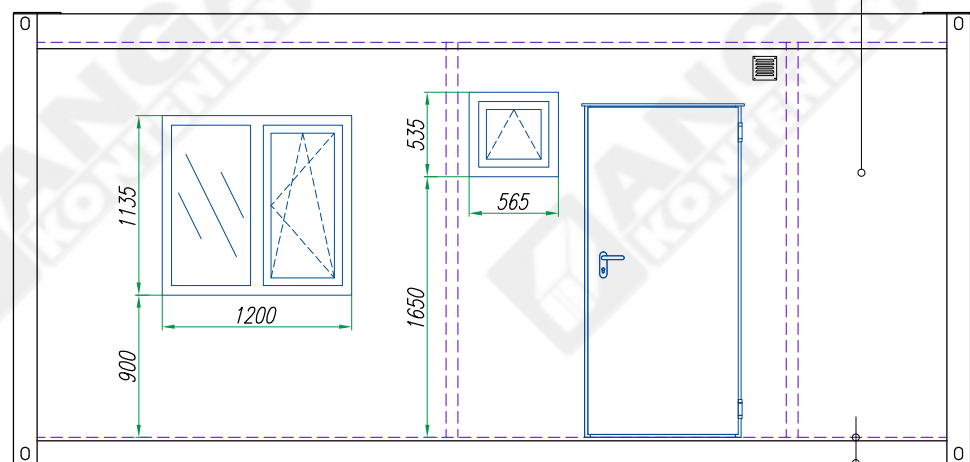


View C

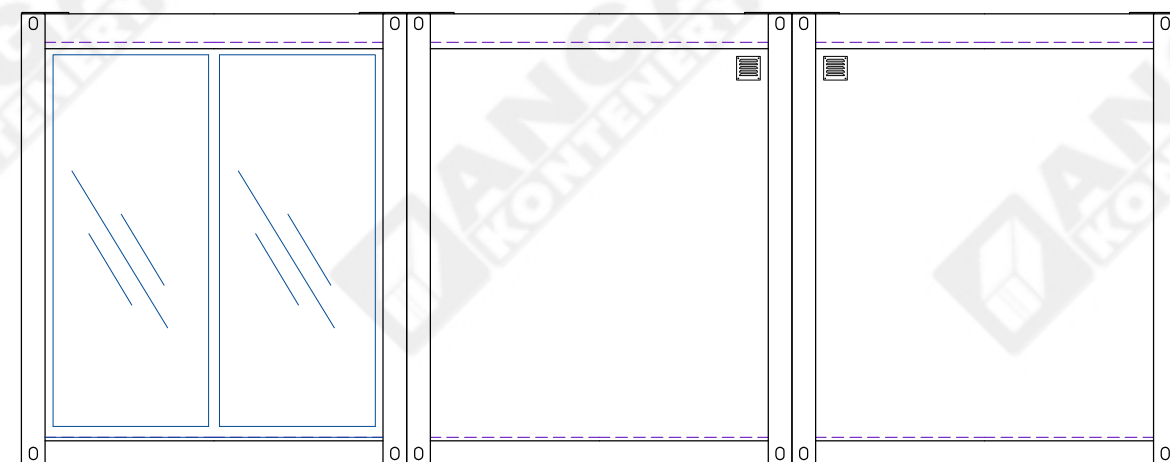


**EXTERNAL WALLS**  
 sandwich panels in metal plates with styrofoam core,  
 panel thickness: 100mm, galvanized, covered with polyester  
 coating

View B



View D



**FLOOR**  
 covering PCV Tarkett Rekord 42  
 OSB3 plate #22, sanitary part - cement-bonded plate Cetris  
 mineral wool/styrofoam #120  
 cold formed steel crossmembers  
 bottom: galvanized metal sheet #0,5

DIMENSIONAL TOLERANCE ±20mm

This drawing is property of "ANGA" sp. z o.o. Kartuska 393,  
 80-125 Gdańsk, Poland and shall not be copied  
 by any process, shall not be shown to third party, nor shall  
 it be used for production documentation for  
 any other account without our permission in writing.

Konstruował Designed	Radostaw Zdun	10.2017	Nazwa wyrobu/Product name	Masa wyrobu kg Total weight kg
Sprawdził Checked			Set of commercial containers	
Zatwierdził Approved	Andrzej Mokrzyński	10.2017	Typ wyrobu/Product type	Format
			Set of 3 pcs of commercial containers type KP100	A2
	Nazwisko/Name	Data/Date	Podpis/Signature	Nr rysunku/Drawing no.
			ANGA sp. z o.o. ul. Kartuska 393 80-125 Gdańsk anga@anga.pl	Edycja Revision 01
			Z3-KP100-S-01	Nr arkusza Sheet no. 2/2